



VST10 (-4) & VST11 (-4)

Track Mount 10 Amp SPDT Relay

Product Overview

VST10 and VST11 Series track mount relays are industrial strength relays that easily mount to either 2.75" or 4" SNAPTRACK™. Fit many relays into a small electrical box for easy installation and service, as well as saving space on the job site. All models are manufactured with an LED for coil status indication. Some models are available with an HOA switch for local control.

Product Identification

Model	SNAPTRACK	HOA Switch/Input
VST10	2.75"	No
VST11	2.75"	Yes
VST10-4	4"	No
VST11-4	4"	Yes

Specifications

Operating Temperature	0 to 60 °C (32 to 140 °F)
Operating Humidity	10 to 90% RH, non-condensing
Relay Status	LED ON = energized
Auxiliary Supply for HOA	24 Vac/dc (supplied from a Class 2 or LVLE source)*
Expected Relay Life	Electrical (@ rated current) 100,000 cycles; Mechanical (unpowered) 10,000,000 cycles
Terminal Block Torque	0.5 to 3.5 in-lb (0.68 to 4.75 N-m)
Insulation Class	600 Vac RMS (coil to contact); 120 Vac RMS (terminal to surface)
Typical Coil Performance (24 V)	Coil current: 32 mA AC, 15 mA DC
Contact Ratings	Resistive: 10 A @ 250 Vac, 5 A @ 30 Vdc Motor: 120 Vac, 1/4 HP N.O., 1/8 HP N.C.
Agency Approvals	UL508 open device listing; Installation Category III, pollution degree 2

*Class 2 source: A source that provides a Class 2 power supply as defined by the NEC, NFPA-70. LVLE: Low voltage limited energy, not capable of providing more than 30 Vac/42.4 Vdc, 8 A or 100 VA.

Regulatory Information



DANGER

HAZARD OF ELECTRIC SHOCK, EXPLOSION, OR ARC FLASH

- Follow safe electrical work practices. See NFPA 70E in the USA, CSA Z462 in Canada, or applicable local codes.
- Read and understand the instructions before installing the product. Follow the instructions during installation.
- Installation, wiring, testing or service must be performed only by qualified persons in accordance with all applicable codes and regulations.
- Install the product in an appropriate electrical and fire enclosure per local regulations.
- Do not use the product for life or safety applications.
- Do not install the product in hazardous or classified locations.
- Do not exceed the product's ratings or maximum limits.
- The product may use multiple voltage/power sources.
- Turn off ALL power supplying equipment before working on or inside the equipment.
- Use a properly rated voltage sensing device to confirm that all power is off.
- Do NOT depend on the product for voltage indication.
- Products rated only for basic insulation must be installed on insulated conductors.
- Current transformer secondaries (current mode) must be shorted or connected to a burden at all times.
- Remove all wire scraps and tools, replace all doors, covers and protective devices before powering the equipment.

Failure to follow these instructions will result in death or serious injury.

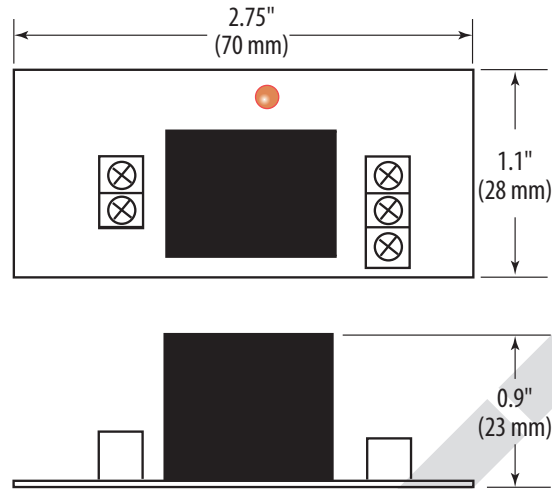
A qualified person is one who has skills and knowledge related to the construction and operation of this electrical equipment and installations, and has received safety training to recognize and avoid the hazards involved. NEC Article 100

If this product is used in a manner not specified by the manufacturer, the protection provided by the product may be impaired. No responsibility is assumed by the manufacturer for any consequences arising out of the use of this material.

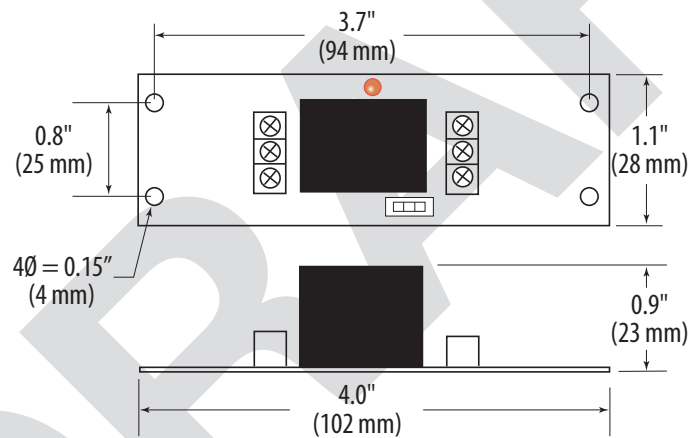
For use in a Pollution Degree 2 or better environment only. A Pollution Degree 2 environment must control conductive pollution and the possibility of condensation or high humidity. Consider the enclosure, the correct use of ventilation, thermal properties of the equipment, and the relationship with the environment.

Dimensions

VST10 and VST11

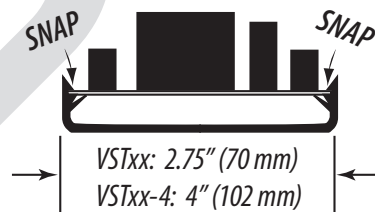


VST10-4 and VST11-4



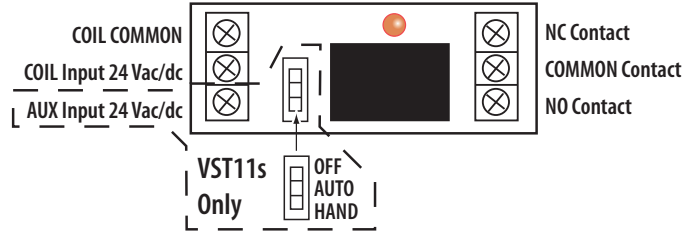
Installation

1. Snap the VST into a mounted track of the appropriate size.



2. Connect the coil terminals as indicated below. The status LED is closest to the load terminals. Use a single 24 Vac/dc Class 2, marked, or low-voltage limited energy (LVLE), power source for all inputs. Fusing is mandatory if the control voltage supply is LV/LE; use a maximum 4 A fuse.

Installation (cont.)



3. Connect the contact terminals to the load(s), as required.
4. If using a VST11 or VST11-4, set the HOA switch to the correct position for your application, Hand, Auto, or Off. If using the Hand position, connect the 24 Vac/dc coil power to the AUX terminal to power the switch.
5. Secure the enclosure and reconnect power.

Wiring

