

# E682x SERIES



# E682x SERIES

## 0.333 VAC Solid-Core Current Transducers

### Installer's Specifications

<b>Inputs:</b>	
Frequency Range	50/60 Hz
Leads	6' (1.8 m)
<b>Accuracy:</b>	
Accuracy	±0.5% from 5%-120% of rated current
<b>Outputs:</b>	
Output at Rated Current	0.333 VAC
<b>Mechanical:</b>	
Insulation	600 VAC
<b>Environmental:</b>	
Operating Temperature Range	-40° to 85°C (-40° to 185°F)
Storage Temperature Range	-50° to 105°C (-58° to 221°F)
Humidity Range	0-95% noncondensing
Altitude of Operation	3 km max.
Installation Category	Cat III, pollution degree 2
Agency Approvals	UL61010-1, EN61010-1

## **⚠ DANGER ⚡**

### HAZARD OF ELECTRIC SHOCK, EXPLOSION, OR ARC FLASH

- Follow safe electrical work practices. See NFPA 70E in the USA, or applicable local codes.
- This equipment must only be installed and serviced by qualified electrical personnel.
- Read, understand and follow the instructions before installing this product.
- Turn off all power supplying equipment before working on or inside the equipment.
- Use a properly rated voltage sensing device to confirm power is off.  
DO NOT DEPEND ON THIS PRODUCT FOR VOLTAGE INDICATION

**Failure to follow these instructions will result in death or serious injury.**

## NOTICE

- This product is not intended for life or safety applications.
- Do not install this product in hazardous or classified locations.
- The installer is responsible for conformance to all applicable codes.
- Mount this product inside a suitable fire and electrical enclosure.

⚠ Documentation must be consulted where this symbol is used on the product.

⚡ This symbol indicates an electrical shock hazard exists.

Always use this product in the manner specified or the protection provided by the product may be impaired. This product must be installed in an appropriate Fire and Electrical enclosure per local regulations.

## INSTALLATION

⚡ Installation must be performed by a qualified electrician. Disconnect and lock out power to the primary circuit before installing these current transducers (CTs).

1. Connect the transducer output leads to the meter or device inputs. The white wire is the X1 lead. Note the labeling on the product indicating the source side, or the base of the arrow.
2. Run the conductor to be monitored through the CT center and complete connections.
3. Check wire terminations for tightness.
4. Reconnect power to the panel.

## PRODUCT IDENTIFICATION

PART NUMBER	DESCRIPTION
E682A051V3	Solid-Core Volt CT, 50A:0.333V, 0.417 in ID, 6 ft leads
E682A101V3	Solid-Core Volt CT, 100A:0.333V, 0.417 in ID, 6 ft leads
E682C201V3	Solid-Core Volt CT, 200A:0.333V, 1.0 in ID, 6 ft leads
E682D401V3	Solid-Core Volt CT, 400A:0.333V, 1.25 in ID, 6 ft leads

Other lead lengths are available. Consult a sales rep for more information.

**OPERATION**

The E682x series of 0.333 volt solid-core current transducers provide secondary AC voltage proportional to the primary (sensed) current. For use with power meters, data loggers, chart recorders, and other instruments, E682x CTs provide a cost-effective means to transform electrical service amperages to a voltage compatible with monitoring equipment.

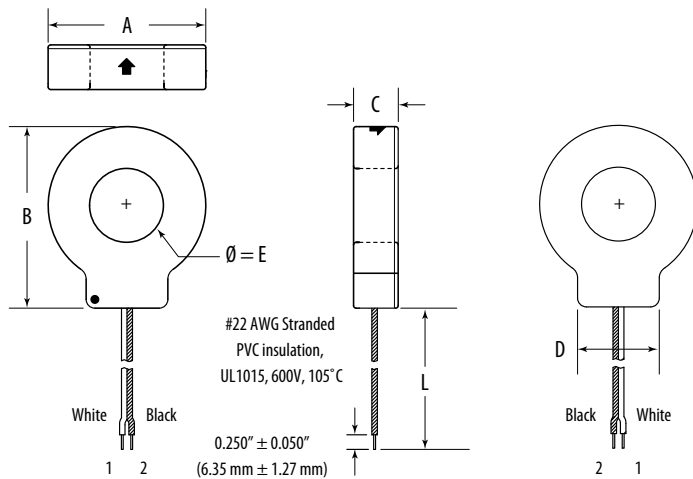
These products provide basic insulation to 600 VAC between the sensed conductor and the output leads. For reinforced applications, the sensed conductor must be provided with appropriate insulation. Reinforced insulation is provided for applications to 300 VAC between the sensed conductor and the output leads under UL/IEC/EN 61010-1 rules.

**NOTES**

Accuracy is specified with the primary conductor(s) centered in the CT window.

Do not apply current transducers to circuits having a phase-to-ground/neutral voltage greater than the stated maximum voltage without applying adequate additional insulation between the primary conductor and the current transducers. Veris assumes no responsibility for equipment damage or personal injury caused by transducers operated on circuits above their published ratings.

**DIMENSIONS**



Model	L	A	B	C	D	E
E682A051V3	6"	1.3"	1.5"	0.7"	0.8"	0.4"
E682A101V3	(1.8 m)	(33 mm)	(38 mm)	(18 mm)	(21 mm)	(10 mm)
E682C201V3	6"	2.3"	2.6"	0.7"	1.2"	1.0"
E682C201V3	(1.8 m)	(59 mm)	(66 mm)	(18 mm)	(31 mm)	(25 mm)
E682D401V3	6"	2.8"	3.2"	1.0"	1.4"	1.25"
E682D401V3	(1.8 m)	(70 mm)	(82 mm)	(25 mm)	(36 mm)	(31 mm)