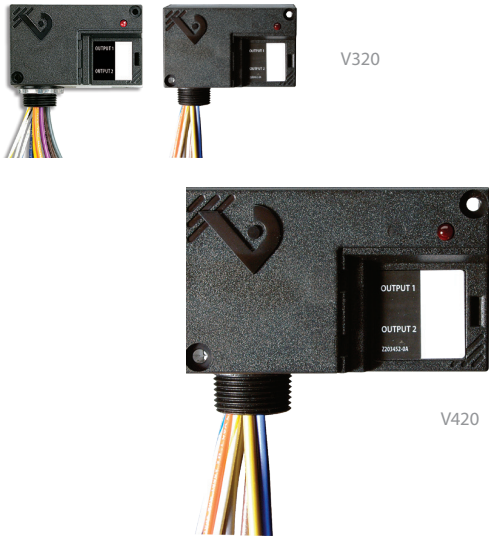


VICTORY 320 & 420

DPDT Relays Provide Versatility



Sleek enclosure

Reduces the need for panel space

Flexible wire

Flexible tinned stranded wire... fits easily in tight spaces and provides secure connections to wire nuts

Nipple mount

Can be mounted to any electrical enclosure, easing installation

UL508 Listed

Designed and listed for field installation...makes electrical inspection a snap

The Victory 320 and 420 DPDT power duty enclosed relays combine industrial strength and ease of use. With the nipple mount enclosure, installation could not be easier. The V320/V420 need no dedicated field enclosure, so they are the ideal retrofit devices. One coil input controls the state of two power rated contacts for the simultaneous control of two devices or both poles of a single-phase circuit, e.g. motor loads. Field-selectable high and low voltage coil inputs provide on-site versatility.

SPECIFICATIONS

Operating Temp Range	-40° to 40°C (-40° to 104°F)
Operating Humidity Range	10 to 90% RH non-condensing
Expected Relay Life	Electrical (@ rated current) 100,000 cycles; Mechanical (unpowered) 10,000,000 cycles
Relay Status	LED ON=energized
Insulation Class	277 Vac RMS

WIRE SPECIFICATIONS

Lead Length	14" (356 mm) min.
Gauge	UL1015; Coil: 18 AWG; Contacts: 12 AWG; HOA monitor wires: 16 AWG

WARRANTY

Limited Warranty	5 years
------------------	---------

AGENCY APPROVALS

Agency Approvals	UL 508
------------------	--------

APPLICATIONS

- Command contactors
- Control motors
- Isolation
- Device interlocking
- Relay logic
- Sense voltages for alarm conditions

TYPICAL COIL PERFORMANCE

Voltage	Coil Current	
	AC	DC
24 V	150 mA	64 mA
120 V	84 mA	
277 V	102 mA	

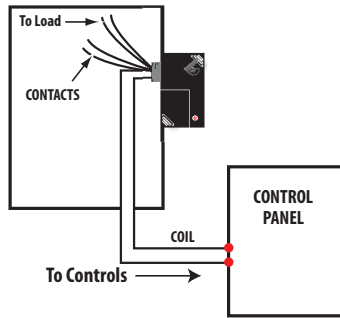
CONTACT RATINGS

Resistive	20 A @ 277 Vac, 28 Vdc
Motor	120 Vac, 1 HP 277 Vac, 2 HP
Pilot Duty	A300
Ballast	20 A @ 277 Vac N.O. 10 A @ 277 Vac N.C.
Tungsten	10 A @ 120 Vac N.O. 2 A @ 120 Vac N.C.

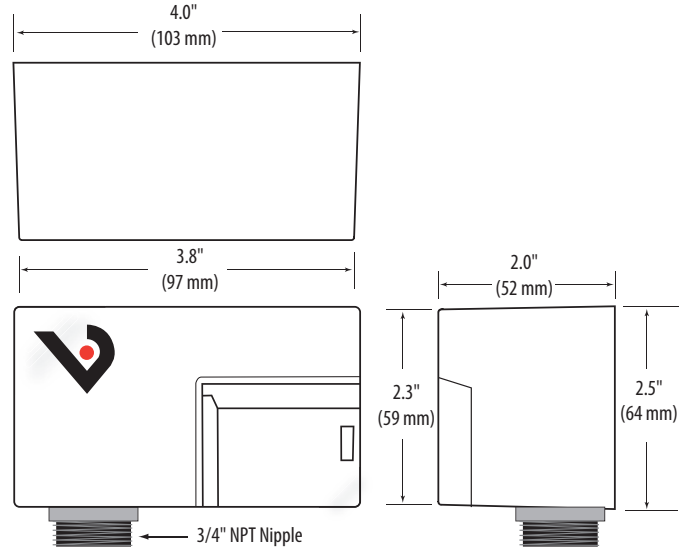


NIPPLE MOUNT DIRECTLY TO A PANEL

Wiring Diagram

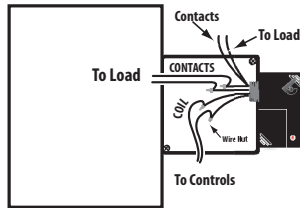


DIMENSIONAL DRAWING

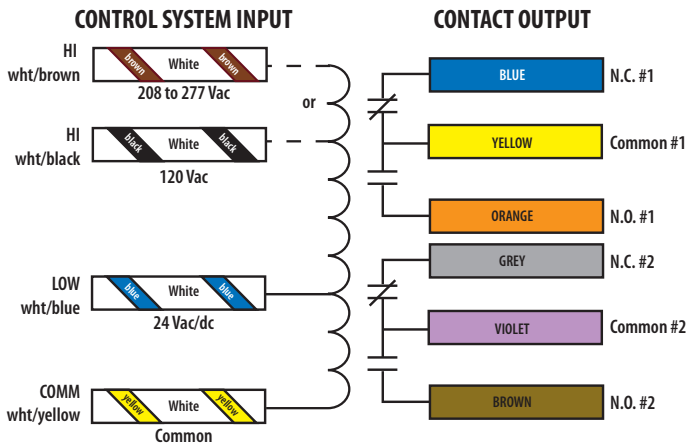


NIPPLE MOUNT TO ANY 2X OR 4X ELECTRICAL BOX

Wiring Diagram



WIRE COLOR CODES



ORDERING INFORMATION

MODEL	RELAY	COIL	AMPERAGE RATING	RELAY POWER LED	UL
V320	DPDT	24 Vac/dc, 120 Vac	20 A	•	•
V420		24 Vac/dc, 208 to 277 Vac		•	•

Note: Some units are Plenum rated per UL 1995. For details, see White Paper VWP01, UL 1995 and Plenum Ratings, at www.veris.com.