

VH7200 SERIES

BACnet, Echelon, and Wireless Models Available



VH7200A1000

The VH7200 humidity controller family features a complete embedded humidity control solution with an intuitive backlit LCD display that walks the installer through the configuration steps, making the process extremely simple. Accurate relative humidity control is achieved via the product's unique PI time proportional control algorithm, which virtually eliminates humidity offset associated with traditional, differential-based humidity controllers.

All models contain a user-controlled binary input, which monitors an electrode humidifier canister service status or may be used as a general purpose service indicator. Models are available with more advanced features such as discharge humidity, proportional high limit, and indoor humidity setpoint reset based upon outdoor air temperature.

SPECIFICATIONS

Humidistat Power Requirements	19 to 30 Vac; 50 or 60 Hz; 2 VA (RC & C) Class 2
Operating Conditions	0 to 50 °C (32 to 122 °F); 0 to 95% RH non-condensing
Storage Conditions	-30 to 50 °C (-22 to 122 °F); 0 to 95% RH non-condensing
Resolution: Temp Humidity	±0.1 °C (±0.2 °F) ±0.1%
Control Accuracy Humidity	±3% RH from 20 to 70% RH at 21 °C (70 °F)
Humidification Setpoint Range	10 to 90% RH
Dehumidification Setpoint Range	15 to 95% RH
Outdoor Air Temp Range	-40 to 50 °C (-40 to 122 °F)

PI time proportioning

PI time proportioning algorithm for increased comfort, accuracy, and energy savings

Binary input

Binary input for added functionality

Local configuration

Unique local configuration utility...minimizes parameter tampering

Lockable keypad

Tamper resistant, no need for thermostat guards

EEPROM memory

No loss of program

Optional remote humidity sensors

Increased flexibility and functionality

APPLICATIONS

- Humidifier
- Dehumidifier/air exchanger
- Humidity high limit sensor
- Outdoor air temperature sensor
- Airflow switch

Binary Inputs	Relay dry contact only across Scom and DI1 terminals
Contact Output Rating	Each relay output: 30 Vac, 1A max.; 30 Vac, 3 A in-rush
Analog Output Rating	0 to 10 Vdc into 2k Ω resistance min.
Wire Gauge	18 gauge maximum, 22 gauge recommended
Dimensions	4.94" x 3.38" x 1.13" (12.5 x 86 x 30 mm)
Approximate Shipping Weight	0.75 lb (0.34 kg)

WARRANTY

Limited Warranty	2 years
------------------	---------

AGENCY APPROVALS



*The CE mark indicates RoHS2 compliance.

UL: 873 (US) and CSA C22.2 No. 24 (Canada), File E27734 with CCN , XAPX (US) and XAPX7 (Canada)

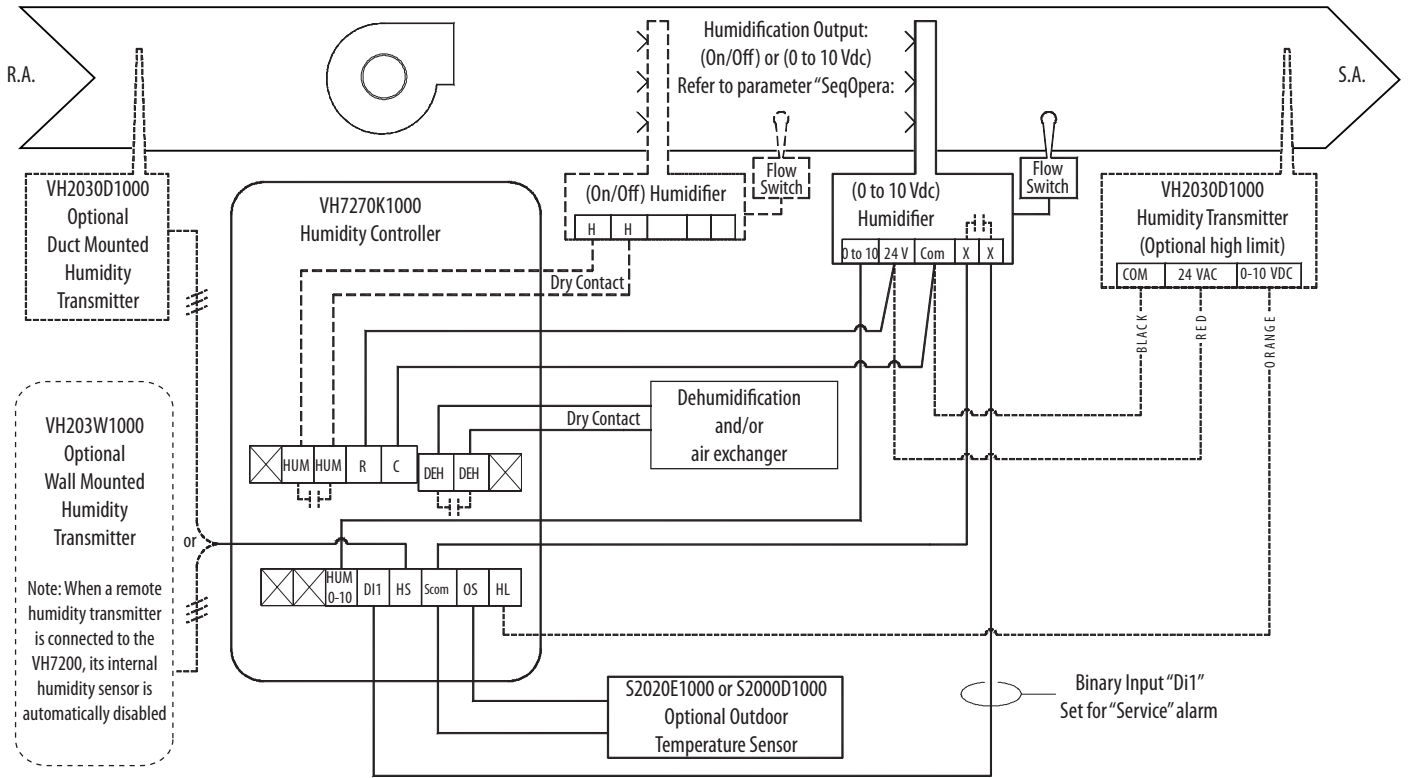
FCC: Compliant to CFR 47, Part 15, Subpart B, Class A (US)

Industry Canada: ICES-003 (Canada)

CE: EMC Directive 2004/108/EC (European Union)



WIRING EXAMPLE



ORDERING INFORMATION

MANUF. PART #	ORDERING #	DESCRIPTION	COMM.
VH7200A1000	U007-0001	On/Off Hum.;	Standalone
VH7200A1000B	U007-0002	On/Off Dehum.;	BACnet (MS/TP)
VH7200A1000W	U007-0004	Outdoor Reset	Wireless (Zigbee)
VH7270F1000	U007-0005	0 to 10 V Hum.;	Standalone
VH7270F1000B	U007-0006	On/Off Dehum.;	BACnet (MS/TP)
VH7270F1000E	U007-0007	Prop HL, Outdoor Reset	Echelon
VH7270F1000W	U007-0008		Wireless (Zigbee)
VH7270K1000	U007-0009	0 to 10 V Hum.;	Standalone
VH7270K1000B	U007-0010	On/Off Hum.;	BACnet (MS/TP)
VH7270K1000E	U007-0011	On/Off Dehum.;	Echelon
VH7270K1000W	U007-0012	Prop HL; Outdoor Reset	Wireless (Zigbee)

DIMENSIONAL DRAWING

