

## GWNP

### Modular Gas Sensor Platform Accepts AG Series Gas Sensors



GWNP



AGPE Enclosure  
(sold separately)

GWNP Series protocol communications platform offers a convenient means for sensing gases in the environment. The GWNP is mounted to any single-gang electrical box and wired to the building controller. Then, a single AGxx gas sensor (sold separately) is installed in the GWNP. With this design, there is no need for a costly new installation when a sensor reaches the end of its life. The GWNP platform remains installed, and the installer simply opens the GWNP housing to replace the modular sensor inside, reducing labor costs and downtime.

AG Series sensors can be swapped in the GWNP platform at any time with minimal effort. The GWNP platform converts the signal from the AG sensor into protocol communications compatible with building control systems.

The available AGPE metal enclosure (sold separately) provides a modular solution for applications that require a rugged enclosure along with an integral audible horn and 10 A relay for direct fan control.

### SPECIFICATIONS

Input Power	15 to 30 Vdc/24 Vac ±20%, Class 2, 50/60Hz, max. 60 mA
Relay Ratings	1A/30 Vac/dc, normally open
Operating Temperature Range	-20 to 50 °C (-4 to 122 °F)
Operating Humidity Range	0 to 90% RH non-condensing
Terminal Block Wire Size	30 to 12 AWG
Protocol	BACnet and Modbus (selectable)
Terminal Block Torque	0.5 to 0.6 N-m (0.37 to 0.44 in-lbf)
Protection Class (self-evaluated)	IP20

#### WARRANTY

Limited Warranty	5 years*
------------------	----------

#### COMPLIANCE INFORMATION

Agency Approvals	Intertek ETL Listed to UL 61010-1
------------------	-----------------------------------



### Communication

Interface to control system via BACnet and Modbus protocols. BTL certified.

### Microprocessor based

Microprocessor controlled for excellent stability

### Modular platform

Modular platform accepts Veris AG Series sensors (sold separately)... no need to install a new GWNP when the sensor life wears out

### No calibration

No calibration required...easy maintenance and worry-free operation

### LEDs

Three colored LEDs - red, yellow and green - for easy status viewing

### Versatile interface

Interface to DDC systems or direct fan control

### APPLICATIONS

- Parking garage ventilation
- Air quality compliance
- Vehicle bays (ambulance/fire/taxi)
- Mechanical rooms
- Sally ports

The GWNP operates only when an AG Series gas sensor is installed (sold separately). Accuracy, sensitivity, setpoints, and measurement range are dependant on the AG Series sensor connected to the GWNP platform. See the AG Series sensor installation guide for details.

\* The AG Series gas sensors are warranted for two years from the date of manufacture. The AG Series sensors are not included in the five-year GWNP warranty.

\*\*The CE mark indicates RoHS2 compliance. Please refer to the CE Declaration of Conformity for additional details.





AG01 CO Sensor



AG01E CO Sensor



AG02 NO<sub>2</sub> Sensor

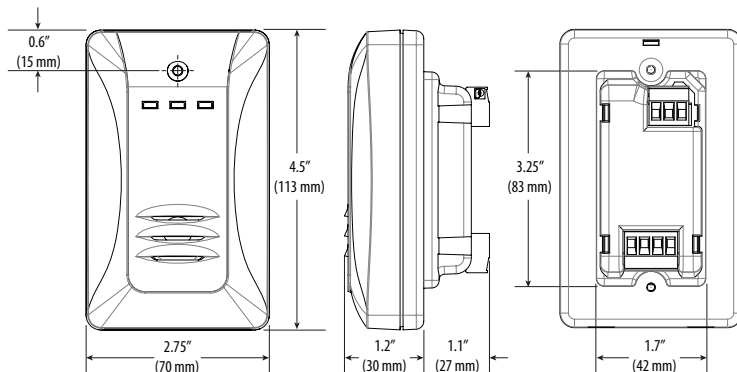
<b>SENSOR TYPE</b>	Electrochemical	Electrochemical	Electrochemical
<b>MEASUREMENT RANGE</b>	0 to 300 ppm	0 to 500 ppm	0 to 15 ppm
<b>ACCURACY</b>	±3% of range	±5% of range	±5% of range at 25 °C
<b>ANALOG OUTPUT SCALING</b>	0 to 200 ppm	0 to 200 ppm	0 to 15 ppm
<b>RESOLUTION</b>	1 ppm	1 ppm	0.1 ppm
<b>SENSOR WARRANTY</b>	2 years from manufacture date	1 year from manufacture date	2 years from manufacture date
<b>LOW SETPOINT VALUE</b>	25 or 35 ppm (switch selectable)	25 or 35 ppm (switch selectable)	1 ppm (fixed)
<b>HIGH SETPOINT VALUE</b>	180 ppm (fixed)	180 ppm (fixed)	3 ppm (fixed)
<b>OPERATING TEMPERATURE RANGE</b>	-20 to 50 °C (-4 to 122 °F)	-20 to 50 °C (-4 to 122 °F)	-20 to 50 °C (-4 to 122 °F)
<b>OPERATING HUMIDITY RANGE</b>	0 to 90% RH non-condensing	0 to 90% RH non-condensing	0 to 90% RH non-condensing

**ORDERING INFORMATION - PLATFORM**



\*The GWNP will not operate without an AG Series sensor installed. Sensors are sold separately.

**DIMENSIONAL DRAWING**



**ORDERING INFORMATION – REQUIRED SENSORS**

MODEL	DESCRIPTION
AG01	CO sensor, 3% accuracy. CO sources include exhaust from gasoline engines, gasoline powered furnaces, gasoline powered water heaters, gasoline generators.
AG01E	CO sensor, 5% accuracy. CO sources include exhaust from gasoline engines, furnaces, water heaters, generators
AG02	NO <sub>2</sub> sensor. NO <sub>2</sub> sources include exhaust from diesel engines and diesel powered generators

Note: See Specifications section for AG sensor warranty details.

**ORDERING INFORMATION – ACCESSORY ENCLOSURE**

MODEL	DESCRIPTION
AGPE	Metal wall mount enclosure for the GWNP gas platform with audible horn and 10 A relay

**WIRING DIAGRAM**

