

H6010 SERIES

kWH Submeters/Pulse Meters



IDEAL FOR SUBMETERING TENANTS!

DESCRIPTION

The H6015 is a 1Ø to 3Ø power (kWH) submeter/transducer designed for use in industrial, commercial, and building automation submetering applications. It utilizes safe, low voltage output CTs and direct wired voltage inputs (no expensive voltage transformers required). SAFE CT design improves safety, and eliminates the need for costly external shorting bars. kWH meter display and kWH pulse outputs are standard.

Base model H6015 accepts 208 to 480 VAC directly. Consult Ordering Information for other sizes/voltages.

APPLICATIONS

- Submetering for commercial tenants...allocate costs
- Energy management & performance contracting
- Departmental costing in manufacturing facilities
- Allocate costs for concession stands, aircraft, RV, & marina slips

Note: Veris also offers Enercept Self-contained Pulse meters. See page 18.

Direct reading kWH display & pulse output

- No confusing multipliers--read meter directly!
- Exceeds ANSI C12.1 standards
- Built-in pulse output for kWH
- Maintains reading in event of power loss
- External or secure reset selectable

Easy to install & cost-effective!

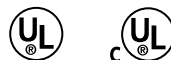
- Automatically accepts any voltage 208 through 480 VAC (120 VAC model available)
- CT polarity verification LED identifies potential wiring errors
- No external power required
- Measures just 4.875" x 6.50"

SAFE Split-core CTs for easy installation

- Current transformers (CTs) utilize accurate low voltage output... non hazardous, even if left unshorted!
- Eliminates need for current shorting bars
- Split-core CTs for easy installation

POWER TRANSDUCCERS

Ordering INFORMATION

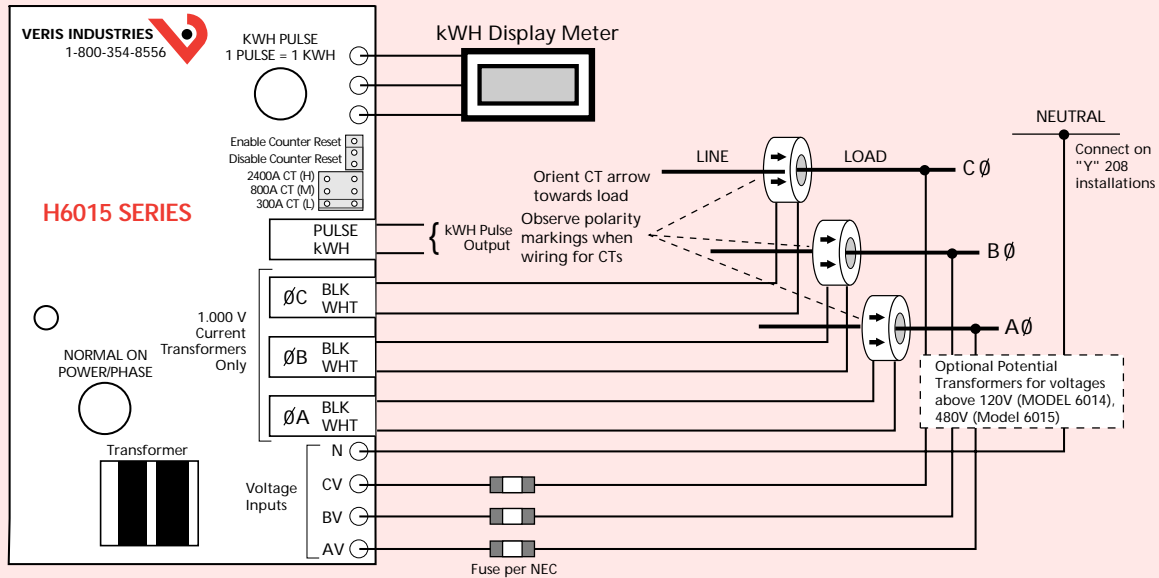


MODEL	VOLTAGE RANGE	DESCRIPTION
H6014	120 VAC	kWH meter with pulse output
H6015	208-480 VAC	kWH meter with pulse output

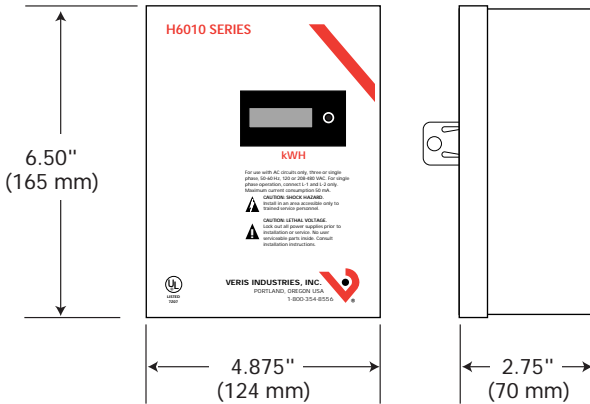
NOTES:

- Order CTs separately. See page 20. Order 300A, 800A, or 2400A only to maintain 1 kWH/pulse.
- To adapt 5A CTs to Veris 1.0 format, you must use an H6902B adapter. Please consult factory.
- Consult factory for interface to 5A secondary CTs.

APPLICATIONS/WIRING DIAGRAM:



DIMENSIONAL DRAWINGS



SPECIFICATIONS

Transducer Model H6015

- Amperage Ratings** 0 - 2400 A (sized by CT; Consult factory for higher amperages)
- Amperage Input** 1.0 V Safe CTs ONLY....Consult factory for 0-5 A output CT retrofit interface. See page 20
- Voltage Ranges** 208 to 480 VAC model H6015
- Isolation** 2500 VAC rms
- Pulse Output** N.O., Opto FET, 100 mA @ 24 VAC/DC
- Pulse Rate** 1 pulse/kWH
- Sealing** N.E.M.A.1 (consult factory for other requirements)
- Temperature Range** ... -15° to 40° C
- Humidity Range** 0 - 95% non-condensing
- Enclosure Dimensions..**(L x W x D)....6.50 " x 4.875" x 2.75"
- Enclosure Construction..**Steel, NEMA type 1, conduit knock outs, hinged door, lock hasp
- System Accuracy** ±1% from 10% to 100% of the maximum rated current of the CTs