

VT7600 SERIES

BACnet MS/TP, LonWorks, Zigbee and Zigbee Pro Models Available



Primarily designed for use in small to mid-sized commercial building applications, VT7600 room controllers can be installed in any building using a standard rooftop or heat pump unit with a requirement for advanced fresh air control. Capable of controlling economizer-free cooling and demand-based ventilation strategies, the VT7600 provides fresh air measurement input right out of the box.

Note: Outside air damper can be controlled based on CO₂ or airflow demand.

SPECIFICATIONS

Thermostat Power Requirements	19 to 30 Vac; 50 or 60 Hz; 2 VA Class 2
Operating Conditions	0 to 50 °C (32 to 122 °F); 0 to 95% RH non-condensing
Storage Conditions	-30 to 50 °C (-22 to 122 °F); 0 to 95% RH non-condensing
Temperature Sensor	Local 10k NTC thermistor
Resolution	± 0.1 °C (± 0.2 °F)
Control Accuracy	Temp: ±0.5 °C (±0.9 °F) @ 21 °C (70 °F) typical calibrated
Occupied and Unoccupied Setpoint Range Cooling	12 to 37.5 °C (54 to 100 °F)
Occupied and Unoccupied Setpoint Range Heating	4.5 to 32 °C (40 to 90 °F)
Room and Outdoor Air Temperature Display	-40 to 50 °C (-40 to 122 °F)
Proportional Band for Room Temperature Range Control	Cooling & Heating: 1.8 °C (3.2 °F)
Binary Inputs	BI2 and UI3 to Scsm
Output Rating	30 Vac, 1 A max., 3 A in-rush
Economizer Analog Output Rating	0 to 10 Vdc into 2k Ω resistance min.
Economizer Analog Output Accuracy	±3% typical
Wire Gauge	18 gauge maximum, 22 gauge recommended

PI time proportioning

PI time proportioning algorithm for increased comfort, accuracy, and energy savings

Local configuration

Unique local configuration utility minimizes parameter tampering

Two digital inputs Lockable keypad

Two digital inputs for added functionality

Tamper resistant, no need for thermostat guards

Smart fan

Saves energy during night mode

Freeze protection

Limits costly freeze damage

APPLICATIONS

- Single-speed fans
- Outdoor air temperature sensor
- Supply air temperature sensor
- Differential pressure switch sensor

Dimensions	4.94" x 3.38" x 1.13" (12.5 x 86 x 30 mm)
Approximate Shipping Weight	0.75 lb (0.34 kg)

WARRANTY

Limited Warranty	2 years
------------------	---------

AGENCY APPROVALS

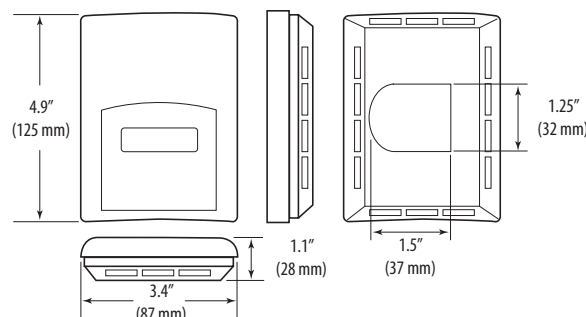


UL: 873 (US) and CSA C22.2 No. 24 (Canada), File E27734 with CCN, XAPX (US) and XAPX7 (Canada)

FCC: Compliant to CFR 47, Part 15, Subpart B, Class A (US)

Industry Canada: ICES-003 (Canada)

DIMENSIONAL DRAWING



ORDERING INFORMATION

PART NUMBER	SCHEDULING	ECONOMIZER	HEAT/COOL	HUMIDITY	PIR COVER	COMM.
Rooftop Unit Controller						
VT7652B5031	X		2H/2C			Standalone
VT7652B5031B	X		2H/2C			BACnet MS/TP
VT7652B5531B	X		2H/2C		X	BACnet MS/TP
VT7652B5531E	X		2H/2C		X	LonWorks
VT7652B5531P	X		2H/2C		X	Zigbee Pro
VT7652B5531W*	X		2H/2C		X	Zigbee
Rooftop Unit Controller for Modulating Heat						
VT7652F5031	X		1H (analog)/2C			Standalone
VT7652F5031B	X		1H (analog)/2C			BACnet MS/TP
VT7652F5531B	X		1H (analog)/2C		X	BACnet MS/TP
VT7652F5531P	X		1H (analog)/2C		X	Zigbee Pro
VT7652F5531W*	X		1H (analog)/2C		X	Zigbee
Heat Pump Controllers						
VT7652H5031	X		3H/2C			Standalone
VT7652H5031B	X		3H/2C			BACnet MS/TP
VT7652H5531B	X		3H/2C		X	BACnet MS/TP
VT7652H5531E	X		3H/2C		X	LonWorks
VT7652H5531P	X		3H/2C		X	Zigbee Pro
VT7652H5531W*	X		3H/2C		X	Zigbee
Water Source Heat Pump Controller with Humidification Control						
VT7652W5031	X		3H/2C	X		Standalone
VT7652W5031B	X		3H/2C	X		BACnet MS/TP
VT7652W5531B	X		3H/2C	X	X	BACnet MS/TP
VT7652W5531P	X		3H/2C	X	X	Zigbee Pro
VT7652W5531W*	X		3H/2C	X	X	Zigbee
Rooftop Unit Controller with Economizer						
VT7656B5031	X	X	2H/2C			Standalone
VT7656B5031B	X	X	2H/2C			BACnet MS/TP
VT7656B5531B	X	X	2H/2C		X	BACnet MS/TP
VT7656B5531E	X	X	2H/2C		X	LonWorks
VT7656B5531P	X	X	2H/2C		X	Zigbee Pro
VT7656B5531W*	X	X	2H/2C		X	Zigbee
Indoor Air Quality Controller						
VT7656E5031	X		2H/2C			Standalone
VT7656E5031B	X		2H/2C			BACnet MS/TP
VT7656E5531B	X		2H/2C		X	BACnet MS/TP
VT7656E5531P	X		2H/2C		X	Zigbee Pro
VT7656E5531W*	X		2H/2C		X	Zigbee
Rooftop Unit Controller with Humidification Control						
VT7657B5031	X		2H/2C	X		Standalone
VT7657B5031B	X		2H/2C	X		BACnet MS/TP
VT7657B5531B	X		2H/2C	X	X	BACnet MS/TP
VT7657B5531E	X		2H/2C	X	X	LonWorks
VT7657B5531P	X		2H/2C	X	X	Zigbee Pro
VT7657B5531W*	X		2H/2C	X	X	Zigbee

*Wireless 'W' Zigbee models for replacement or existing projects only. See PN: VCM7000V5000W.

Note: All models with PIR motion sensor and most models with communication module must be purchased in two or three different parts. For example, VT7200F5531E should be ordered as: VT7200F5031 + COV-PIR-ZN-5031 + VCM7300V5000E.