

VT7300 SERIES

BACnet, LonWorks, Zigbee and Zigbee Pro Models Available



The VT7300 provides the advanced features and monitoring functions required by modern building automation systems without the use of software and commissioning tools. The VT7300 is a low voltage fan coil terminal equipment controller suitable for commercial and hospitality markets. It can also be used as a zone controller or mixed voltage solution.

SPECIFICATIONS

Thermostat Power Requirements	VT7350: 19 to 30 Vac; 50 or 60 Hz; 2 VA Class 2 VTR7350: 7.0 Vdc +/- 10%, 2.4 W min.
Operating Conditions	0 to 50 °C (32 to 122 °F); 0 to 95% RH non-condensing
Storage Conditions	-30 to 50 °C (-22 to 122 °F); 0 to 95% RH non-condensing
Temperature Sensor	Local 10k NTC thermistor
Resolution	±0.1 °C (± 0.2 °F)
Control Accuracy: Temperature Humidity	±0.5 °C (±0.9 °F) @ 21 °C (70 °F) typical, calibrated ±3% from 20 to 70% RH at 21 °C (70 °F)
Occupied and Unoccupied Setpoint Range Cooling	12 to 38 °C (54 to 100 °F)
Occupied and Unoccupied Setpoint Range Heating	4.5 to 32 °C (40 to 90 °F)
Room and Outdoor Air Temperature Display	-40 to 50 °C (-40 to 122 °F)
Proportional Band for Room Temperature Range Control	Cooling & Heating: 1.8 °C (3.2 °F)
Binary Inputs	Dry contact across terminal BI1, BI2 & UI3 to Scm*
Outputs Rating	Triac output: 30 Vac, 1 A max., 3 A in-rush; Analog: 0 to 10 Vdc into 2k Ω resistance min.*
Economizer Analog Output Rating	0 to 10 Vdc into 2k Ω resistance min.
Economizer Analog Output Accuracy	±3% typical
Wire Gauge	18 gauge maximum, 22 gauge recommended
Dimensions	4.94" x 3.38" x 1.13"

Standard humidity sensing

Increased occupant comfort through dehumidification

Configurable sequences

Configurable sequences of operation...single model meets more applications

Advanced occupancy functions

Advanced occupancy functions through the network or smart local occupancy sensing

APPLICATIONS

- Two-pipe fan coil
- Four-pipe fan coil
- 1, 2 or 3-speed fan
- ECM with on/off, floating or 0 to 10V valve outputs

Configurable inputs

Three configurable inputs for added functionality

Configurable fan

Configurable fan functions button including ECM and speed fan control...meets multiple applications with a single model

Minimize parameter tampering

Unique local configuration utility

Approximate Shipping Weight	0.75 lb (0.34 kg)
-----------------------------	-------------------

WARRANTY

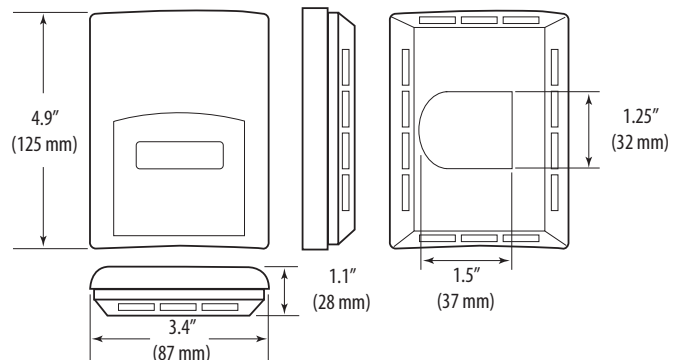
Limited Warranty	2 years
------------------	---------

AGENCY APPROVALS



UL: 873 (US) and CSA C22.2 No. 24 (Canada), File E27734 with CCN, XAPX (US) and XAPX7 (Canada)
FCC: Compliant to CFR 47, Part 15, Subpart B, Class A (US)
Industry Canada: ICES-003 (Canada)

DIMENSIONAL DRAWING



ORDERING INFORMATION

PART NUMBER	DESCRIPTION	COMM.
VT7300F5031B-ECM	ECM FCU Room Controller: BACnet, 2 Analog 0-10V Outputs, Commercial Interface	BACnet MS/TP
VT7305F5031B-ECM	ECM FCU Room Controller: BACnet, 2 Analog 0-10V Outputs, Hotel Interface	BACnet MS/TP
Low Voltage Fan Speed Commercial Applications - Floating Outputs		
VT7350C5031	Fan Coil Controller: Net Ready, Floating Outputs, with Humidity, Commercial Interface	Standalone
VT7350C5031B	Fan Coil Controller: BACnet, Floating Outputs, with Humidity, Commercial Interface	BACnet MS/TP
VT7350C5531B	PIR FCU Room Controller: 2 On/Off or Floating Outputs, with Humidity, Commercial Interface	BACnet MS/TP
VT7350C5531E	PIR FCU Room Controller: 2 On/Off or Floating Outputs, with Humidity, Commercial Interface	LonWorks
VT7350C5531P	PIR FCU Room Controller: 2 On/Off or Floating Outputs, with Humidity, Commercial Interface	Zigbee Pro
VT7350C5531W*	PIR FCU Room Controller: 2 On/Off or Floating Outputs, with Humidity, Commercial Interface	Zigbee
Low Voltage Fan Speed Commercial Applications - Analog Outputs		
VT7350F5031	Fan Coil Controller: Net Ready, 2 Analog 0-10V Outputs, with Humidity	Standalone
VT7350F5031B	Fan Coil Controller: BACnet, 2 Analog 0-10V Outputs, with Humidity	BACnet MS/TP
VT7350F5531B	PIR FCU Room Controller: 2 Analog 0-10V Outputs, with Humidity, Commercial Interface	BACnet MS/TP
VT7350F5531E	PIR FCU Room Controller: 2 Analog 0-10V Outputs, with Humidity, Commercial Interface	LonWorks
VT7350F5531P	PIR FCU Room Controller: 2 Analog 0-10V Outputs, with Humidity, Commercial Interface	Zigbee Pro
VT7350F5531W*	PIR FCU Room Controller: 2 Analog 0-10V Outputs, with Humidity, Commercial Interface	Zigbee
Low Voltage Fan Speed Hotel Applications - Floating Outputs		
VT7355C5031	Fan Coil Controller: Net Ready, Floating Outputs, with Humidity, Lodging/Hotel Interface	Standalone
VT7355C5031B	Fan Coil Controller: BACnet, Floating Outputs, with Humidity, Lodging/Hotel Interface	BACnet MS/TP
VT7355C5531B	PIR FCU Room Controller: 2 On/Off or Floating Outputs, with Humidity, Lodging/Hotel Interface	BACnet MS/TP
VT7355C5531E	PIR FCU Room Controller: 2 On/Off or Floating Outputs, with Humidity, Lodging/Hotel Interface	LonWorks
VT7355C5531P	PIR FCU Room Controller: 2 On/Off or Floating Outputs, with Humidity, Lodging/Hotel Interface	Zigbee Pro
VT7355C5531W*	PIR FCU Room Controller: 2 On/Off or Floating Outputs, with Humidity, Lodging/Hotel Interface	Zigbee
Low Voltage Fan Speed Hotel Applications - Analog Outputs		
VT7355F5031	Fan Coil Controller: Net Ready, With Humidity, 2 Analog 0-10V Outputs, Lodging/Hotel Interface	Standalone
VT7355F5031B	Fan Coil Controller: BACnet, 2 Analog 0-10V Outputs, with Humidity, Lodging/Hotel Interface	BACnet MS/TP
VT7355F5531B	PIR FCU Room Controller: 2 Analog 0-10V Outputs, with Humidity, Lodging/Hotel Interface	BACnet MS/TP
VT7355F5531E	PIR FCU Room Controller: 2 Analog 0-10V Outputs, with Humidity, Lodging/Hotel Interface	LonWorks
VT7355F5531P	PIR FCU Room Controller: 2 Analog 0-10V Outputs, with Humidity, Lodging/Hotel Interface	Zigbee Pro
VT7355F5531W*	PIR FCU Room Controller: 2 Analog 0-10V Outputs, with Humidity, Lodging/Hotel Interface	Zigbee
Line Voltage Fan Speed Commercial Applications**		
VTR7350A5031	Fan Coil Controller: Net Ready, with Humidity, Commercial Interface	Standalone
VTR7350A5031B	Fan Coil Controller: BACnet, with Humidity, Commercial Interface	BACnet MS/TP
VTR7350A5531B	PIR FCU Room Controller: with Humidity, Commercial Interface	BACnet MS/TP
VTR7350A5531P	PIR FCU Room Controller: with Humidity, Commercial Interface	Zigbee Pro
VTR7350A5531W*	PIR FCU Room Controller: with Humidity, Commercial Interface	Zigbee
Line Voltage Fan Speed Hotel Applications**		
VTR7355A5031	Fan Coil Controller: Net Ready, with Humidity, Lodging/Hotel Interface	Standalone
VTR7355A5031B	Fan Coil Controller: with Humidity, Lodging/Hotel Interface	BACnet MS/TP
VTR7355A5531B	PIR FCU Room Controller: with Humidity, Lodging/Hotel Interface	BACnet MS/TP
VTR7355A5531P	PIR FCU Room Controller: with Humidity, Lodging/Hotel Interface	Zigbee Pro
VTR7355A5531W*	PIR FCU Room Controller: with Humidity, Lodging/Hotel Interface	Zigbee

*Wireless 'W' Zigbee models for replacement or existing projects only. See PN: VCM7000V5000W.

** I/O relay pack required for VTR7350.

Note: All models with PIR motion sensor and most models with communication module must be purchased in two or three different parts. For example, VT7200F5531E should be ordered as: VT7200F5031 + COV-PIR-ZN-5031 + VCM7300V5000E.