

# VICTORY 100L

(Low Voltage Coil)

## SPDT Enclosed Relay

Coil: 10-30VAC/DC, 120VAC

Contacts: 10A(r)@277VAC, 28VDC

The V100L SPDT Enclosed relay combines an industrial strength relay with an easy to use nipple mount enclosure. The Victory Series provides quick relay mounting without a dedicated field enclosure, making it ideal for retrofit projects. Field-selectable high and low voltage coil inputs provide on-site versatility.

### Sleek field enclosure eliminates the need for panel space

- Versatile coil and contact ratings minimize the number of models to choose from
- The nipple mount feature allows the Victory Series to be mounted to any electrical enclosure
- Flexible tinned stranded wire...fits easily in tight spaces and provides secure connections to wire nuts
- UL508 Listed...designed and listed for field installation...makes electrical inspection a snap

### APPLICATIONS

- Command contactors
- Control motors
- Isolation
- Device interlocking
- Relay logic
- Sense voltages for alarm conditions

### SPECIFICATIONS

Operating Temperature	-34°C to 60°C
Operating Humidity	0-95% non-condensing
Expected Relay Life	10 million cycles min.
Relay Status	LED ON=energized
Dimensions... (LxWxH)	2.92" x 1.80" x 1.58"; (H) 1/2" NPT nipple

TYPICAL COIL PERFORMANCE		
Coil Voltage 12-30VAC/DC		
Pull In Voltage		
	AC	DC
10-30V.....	8	9
120V.....	78	
Drop Out Voltage		
	AC	DC
10-30V.....	2	3
120V.....	18	
Voltage		
	Coil Current	
	AC	DC
10V.....	25mA.....	14mA
24V.....	31mA.....	16mA
30V.....	39mA.....	18mA
120V.....	22mA	-

CONTACT RATINGS	
Resistive.....	10A(r)@277VAC, 28VDC
Motor.....	120VAC, 1/3HP N.O. & 1/6HP N.C. 240VAC, 1/3HP N.O. & 1/6HP N.C. 277VAC, 1/4HP N.O. & 1/8HP N.C.
Pilot Duty...	277VAC, 1.7A 480VA N.O.
Ballast.....	277VAC, 1.7A 480VA
Tungsten....	120VAC, TV3 (3A) N.O. TV2 (2A) N.C.
Gold Flash...	Yes



### ORDERING INFORMATION

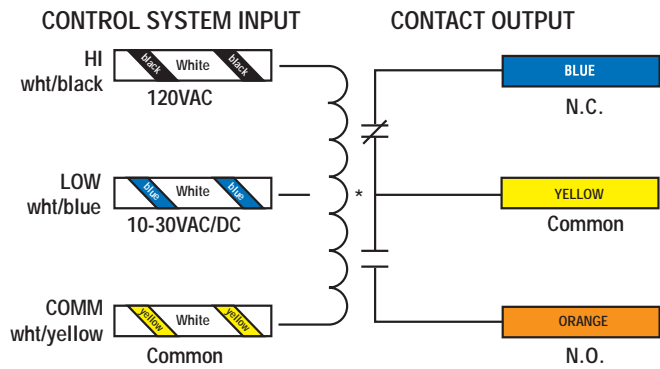
MODEL	COIL	CONTACT
V100L	10-30VAC/DC, 120VAC	SPDT, 10A

Plenum rated  
per UL 2043



E150462

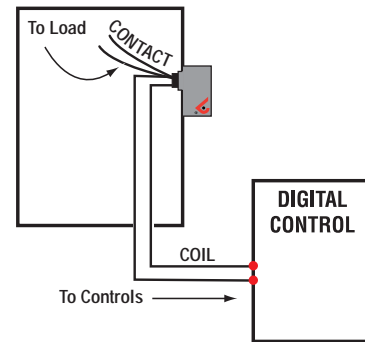
WIRE COLOR CODES



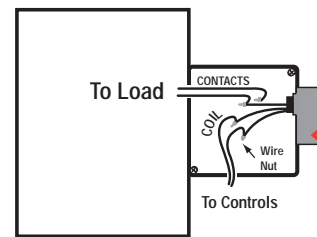
\*Isolation...600VAC

APPLICATIONS/WIRING EXAMPLE

*Nipple mount directly to a panel*



*Nipple mount to any 2x or 4x electrical box*



DIMENSIONAL DRAWING

