



• *This product is not intended for life or safety applications*

Severe injury or death can result from electrical shock during contact with high voltage conductors or related equipment. Disconnect and lock-out all power sources during installation. Applications shown are suggested means of installing relays, but it is the responsibility of the installer to ensure that the installation is in compliance with all national and local codes. Installation should be attempted only by individuals familiar with codes, standards, and proper safety procedures for high-voltage installations. Do not rely on status indications of device exclusively to determine if power is present in conductor.

## Installation Instructions

# Victory 645

## SPDT Enclosed Relay

**VERIS INDUSTRIES**



PORTLAND, OREGON USA  
(503) 598-4564 FAX (503) 598-4664  
1-800-354-8556

http://www.veris.com email:sales@veris.com

## INSTALLATION

**Ensure load and coil power sources are shut off and locked out before any installation**

1. Mount unit. Unit must be mounted in a separate fire and electrical enclosure.
2. Connect Coil:
  - Choose the coil common lead (White with Yellow stripe) and connect it to the (-) source termination point.
  - Choose either the low (24-30VAC/DC White w/blue stripe) or high (120VAC White w/black stripe) voltage lead, whichever fits your application, and connect it to the (+) source termination point.\*
3. Connect Relay Contacts:
  - Choose the Relay Common Wire (Yellow) and connect to switched load.
  - Choose the Relay N.O. (Orange) or N.C. (Blue) lead and connect to switched load.\*

4. Secure your enclosure and reconnect power.

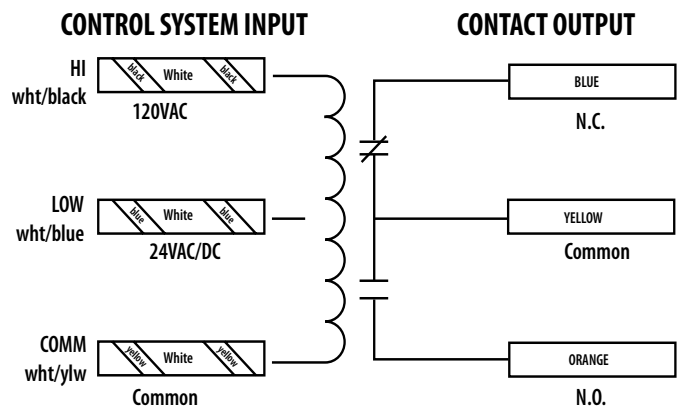
\*Wires which are not terminated must be isolated or insulated, i.e. wire nut.

## SPECIFICATIONS

<b>Coil Voltage, nominal</b>	24VAC/DC (24-30VDC); 120VAC
<b>Input Current (typical)</b>	13mA@24VDC; 32mA@24VAC; 17mA@120VAC
<b>Dielectric Strength</b>	1500V rms
<b>Output Configuration</b>	SPDT
<b>Output Ratings</b>	10A(r) N.O., 7A(r), N.C.@250VAC, 6A(r)@277VAC 7A(r) N.O. & N.C. @30VDC, 1/4 HP@125VAC N.O.
<b>Temperature Range</b>	0° to 60° C (ambient)
<b>Humidity Range</b>	10% - 90% RH non-condensing
<b>Dimensions... (L x W x H)</b>	1.65" x 1.15" x 1.23" (42x30x32mm)
<b>Listings</b>	E150462



## WIRE COLORS



## MOUNTING OPTIONS

Unit can be mounted using any of the following methods:

- DIN Rail Clip
- Screw

