

INSTALLATION

!CAUTION!

• *This product is not intended for life or safety applications*

Severe injury or death can result from electrical shock during contact with high voltage conductors or related equipment. Disconnect and lock-out all power sources during installation. Applications shown are suggested means of installing relays, but it is the responsibility of the installer to ensure that the installation is in compliance with all national and local codes. Installation should be attempted only by individuals familiar with codes, standards, and proper safety procedures for high-voltage installations. Do not rely on status indications of device exclusively to determine of power is present in conductor.

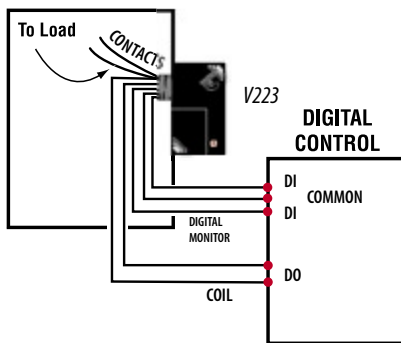
Ensure load and coil source are shut off and locked out before any installation

- Using the threaded nipple connect the relay housing to the desired enclosure through a knock out.
- Secure with the conduit nut provided.
- Connect Coil:
 - Choose the coil common lead (White with Yellow Stripe) and connect it to the (-) source termination point.
 - Choose either the low (10-30V white w/blue stripe) , or high (208-277VAC white w/brown stripe) or high voltage lead whichever fits your application, and connect it to the (+) source termination point.*
- Connect Relay Contacts:
 - Choose the two solid orange wires (N.O. Contact) and connect them to your switched load.
- Connect Digital HOA Monitor:
 - Choose the brown and grey wires and take them to two different digital inputs referencing the violet wire as common.
- Secure your enclosure and reconnect power.

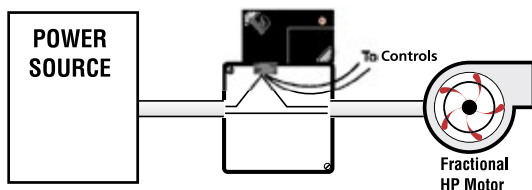
*Wires which are not terminated must be isolated or insulated, e.g. wire nut.

WIRING EXAMPLES

Nipple mount directly to a panel



Nipple mount to any 2x or 4x electrical box



Installation Instructions

Victory 223

20A SPST Enclosed Relay w/HOA Switch

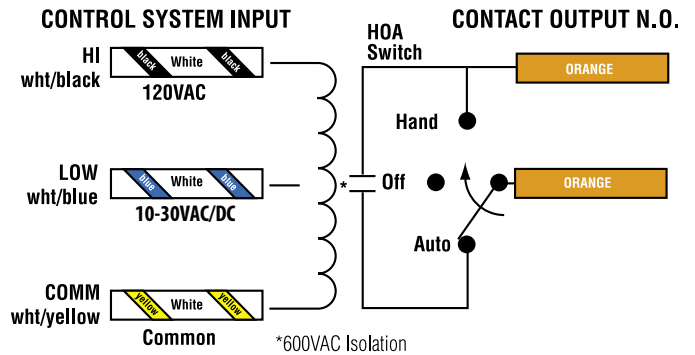
VERIS INDUSTRIES



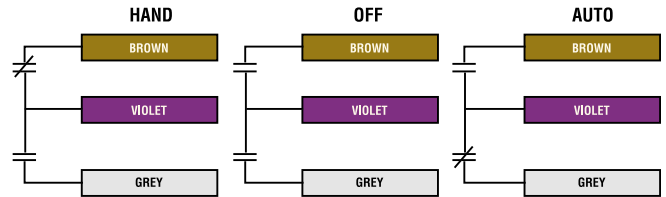
PORTLAND, OREGON USA
 (503) 598-4564 FAX (503) 598-4664
 1-800-354-8556

http://www.veris.com email:sales@veris.com

WIRE COLORS



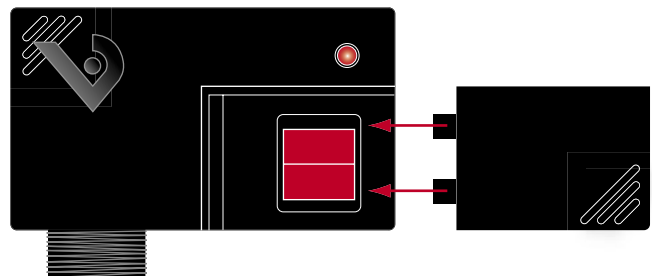
DIGITAL HOA POSITION MONITOR



Switch Positions:

HAND = Brown wire closed to Common
 OFF = Both wires open to Common
 AUTO = Grey wire closed to Common

HOA POSITIONS



- HAND** — When the switch is in the up position, the contacts are closed.
- OFF** — When the switch is in the middle position, the contacts are open.
- AUTO** — When the switch is in the down position, the control system actuates the contacts.

SPECIFICATIONS

General

Operating Temp..... -40° to 60°C
Operating Humidity 0-95% non condensing
Expected Relay Life 10 million cycles min. mechanical
Relay Status..... LED ON=relay coil energized
Dimensions..... 4.0"(L) x 2.04"(W) x 2.50"(H)
3/4" NPT nipple

Digital Monitor Maximums

Dry Circuit Contact Rating (max).....24VAC/DC@100mA

TYPICAL COIL PERFORMANCE

Coil Voltage 24VAC/DC, 208-277VAC

Voltage	Coil Current	
	AC	DC
24V.....	75mA.....	32mA
277V.....	25mA	—

CONTACT RATINGS

Resistive..... 20A(r)@240VAC
8A@28VDC
14A@14VDC
Motor..... 250VAC, 1HP N.O. & N.C.