

# HEW SERIES



# HEW SERIES

## Economy Wall Mount Humidity Sensor

### Installer's Specifications

Input Power	4-20mA version, loop powered 12-30VDC only, 30mA max.; 0-5V/0-10V versions, 12 (15 for 0-10V) to 30VDC/24VAC, 15mA max.
HS Element	Digitally profiled thin-film capacitive, non-removable
Accuracy at 25°C from 10-90% RH	±3% or 5%
Reset Rate*	24 hours
Stability	±1% @ 20°C (68°F) annually, for two years
Operating Humidity Range	0 to 100% RH (non-condensing)
<b>Temperature Effect:</b>	
Voltage Versions	$(0.0015x\%RHx(T^{\circ}C-25)) + (\%RHx0.0008xabsx(T^{\circ}C - 25))$
mA Versions	$(0.0013x\%RHx(T^{\circ}C - 25))$
<b>Analog Output:</b>	
4-20mA version	2-wire, polarity insensitive, (clipped and capped);
0-5V/0-10V versions	3-wire, observe polarity
Scaling	0-100% RH
<b>Optional Temperature Output:</b>	
Transmitter Models	Digital 0-5V/0-10V output; accuracy ±0.5°C (±1°F)
Range	10° to 35°C (50° to 95°F)
RTD Models**	Customer specified thermistor or RTD

## NOTICE

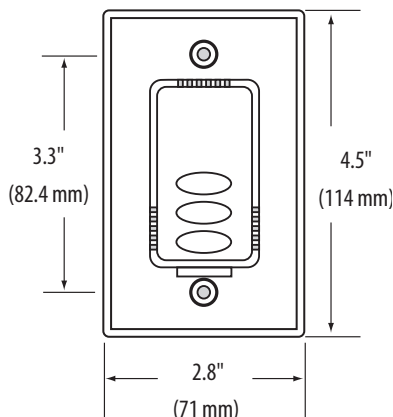
- This product is not intended for life or safety applications.
- Do not install this product in hazardous or classified locations.
- Read and understand the instructions before installing this product.
- Turn off all power supplying equipment before working on it.
- The installer is responsible for conformance to all applicable codes.

## PRODUCT IDENTIFICATION

Package	Accuracy	Output	US or EU Temp.	Sensor Type
HE <b>W</b>	<input type="checkbox"/>	<input type="checkbox"/>	<input type="checkbox"/>	<input type="checkbox"/>
W = Wall	3 = 3% 5 = 5%	M = 4-20mA V = 0-10VDC J = 0-5VDC	T = Temp X = No Temp (Stop here)	A* = 0-5/0-10V Transmitter: 10° - 35°C (50° - 95°F) B = 100R Platinum, RTD C = 1k Platinum, RTD D = 10k T2, Thermistor E = 2.2k, Thermistor F = 3k, Thermistor G = 10k CPC Thermistor H = 10k T3, Thermistor J = 10k Dale, Thermistor K = 10k with 11k shunt, Thermistor M = 20k NTC, Thermistor N = 1800 ohm TAC, Thermistor Q = 1uA/°C, Linitemp R = 10k US, Thermistor S = 10k 3A 221 Thermistor T = 100k, Thermistor U = 20k "D", Thermistor

\*Transmitter option not available in 4-20mA output models.

## DIMENSIONS



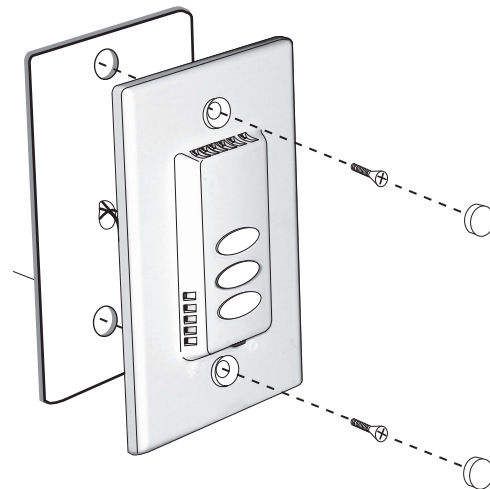
1-year limited warranty

\*Reset Rate is the time required to recover to 50% RH after exposure to 90% RH for 24 hours. One side of transformer secondary is connected to signal common. Isolation transformer, or dedicated power supply may be required

\*\*RTD/Thermistors in wall packages are not compensated for internal heating of product.

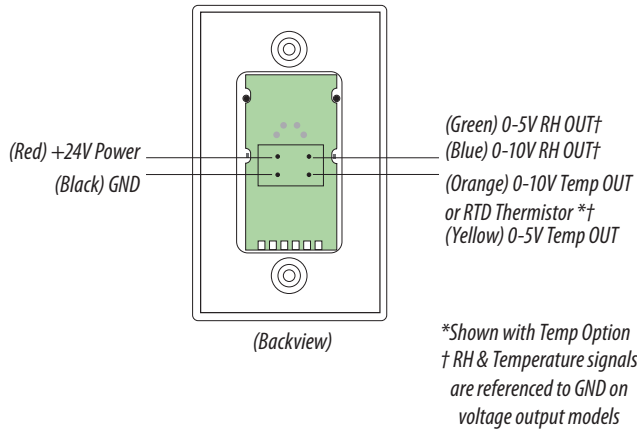
## QUICK INSTALL

1. Mount the backplate on the wall in an appropriate location.
2. Wire the unit as shown (see Wiring section, page 2).
3. Attach the front plate using the screws provided (see below).



**WIRING**

Voltage Output (3-Wire, 0-5V/0-10V)



Current Output (2-Wire, 4-20mA)

