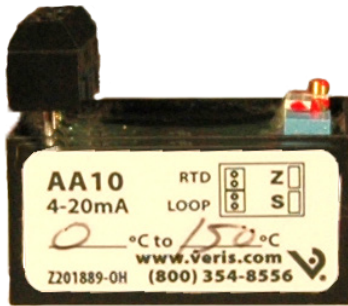


AA10



AA10

Temperature Range Configuration

Installer's Specifications

Transmitter:

Input Voltage	12 to 24VDC
Loop Resistance	250Ω, 13.5V min. ; 500Ω, 18.5V min.
Output	4-20mA, 2-wire, loop powered; 1-5VDC with 250Ω resistor
Transmitter Accuracy	±2.5% of span (typical)
Adjustment	±5% zero and span
Ambient Temperature	0° to 50°C (32° to 122°F)
Encapsulation	Epoxy encapsulated; UL94V0 rated

Sensor:

Sensor Type	RTD, Platinum, 100Ω, 0.0385α
Sensor Accuracy	±0.30°C
Conversion Resistor	250Ω min. 1/4 watt (customer-supplied)

NOTICE

- This product is not intended for life or safety applications.
- Do not install this product in hazardous or classified locations.
- Read and understand the instructions before installing this product.
- Turn off all power supplying equipment before working on it.
- The installer is responsible for conformance to all applicable codes.

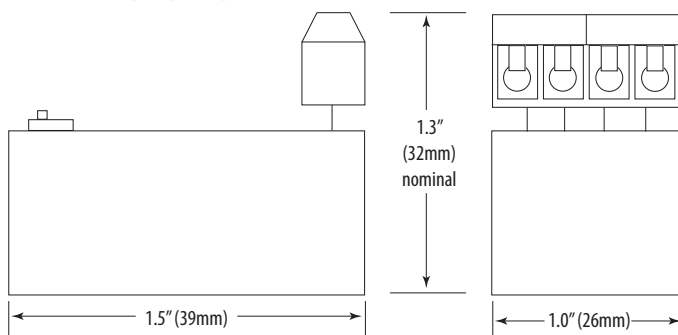
PRODUCT IDENTIFICATION

AA10

°C	°F	Order Code
-50 to 50	-58 to 122	1
0 to 50	32 to 122	2
0 to 100	32 to 212	3
10 to 35	50 to 95	4
0 to 150	32 to 304	5
-18 to 38	0 to 100	6
-18 to 121	0 to 250	7
-18 to 66	0 to 150	8
-29 to 66	-20 to 150	9
-60 to 70	-76 to 158	10
0 to 66	32 to 150	11

Example:
AA10C3

DIMENSIONS



QUICK INSTALL

1. This product is intended for use with a 100Ω platinum RTD (0.0385α) to provide either a 4-20mA or a 1-5VDC temperature signal.
2. Disconnect power to the control panel.
3. Wire the AA10 as shown in the Wiring section. For a 1-5VDC output, use a 250Ω resistor (not included).
4. Refer to the Product Identification chart to determine output temperature range scaling.

WIRING

