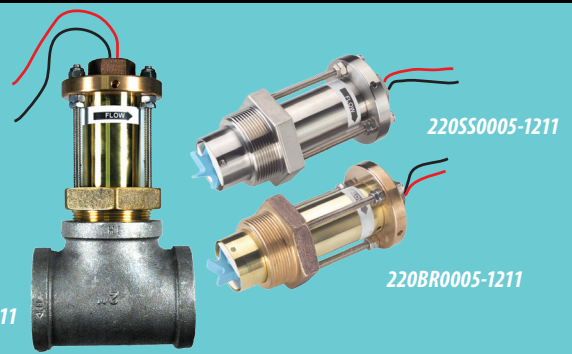


Insertion Meter, Standard Impeller

Ideal For Pipe Sizes 3"
To Over 40"



DESCRIPTION

Insert-style liquid flow sensors with brass or stainless steel sleeves fit pipe sizes from 3" to 40" (77 to 1016 mm). These sensors can be purchased with a bronze or iron tee. Sensor output is a frequency that indicates flow rate. Used in conjunction with a compatible flow monitor or transmitter, these non-magnetic flow sensors provide an accurate reading of the rate of liquid flow, as well as total accumulated flow in indoor or protected areas.

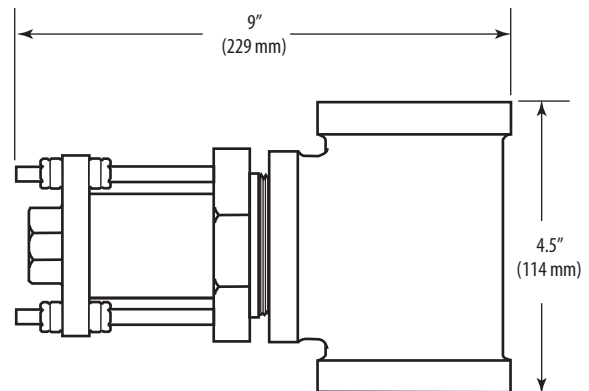
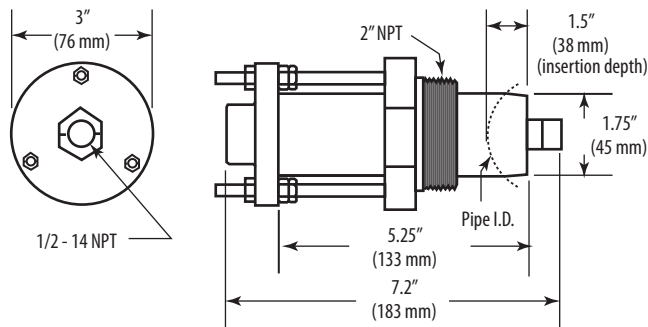
APPLICATIONS

- Measuring liquid flow rates
- Accounting for total accumulated flow

FEATURES

- Six-bladed impeller design with a proprietary, non-magnetic sensing mechanism...high accuracy and repeatability
- Forward-swept impeller is less prone to fouling by water-borne debris...reliable performance with minimal downtime
- Signal can travel up to 2000 ft (609 m) between the sensor and the display unit without amplification
- Supplied with 20 ft (6 m) of 2-conductor 20-AWG UL type PTLC cable (105°C rated)
- Sensors of similar type are interchangeable...no need for recalibration after servicing or replacement...quick install and fast maintenance

DIMENSIONAL DRAWINGS



SPECIFICATIONS



Temperature Rating	105°C (221°F) continuous
Pressure Rating	At 38°C (100°F) Insert: 400 psi; brass tee: 200 psi; iron tee: 175 psi
Recommended Design Flow Range	0.5 to 30 ft/sec (0.15 to 9 m/sec); initial detection below 0.3 ft/sec
Wetted Materials	UHMW-PE bearing, polyamide impeller, tungsten carbide shaft, EPDM O-rings
Accuracy	1% F.S. over recommended design flow range; ±4% of reading within calibration range*
Repeatability	±0.3% of full scale over recommended design flow range*
Linearity	±0.2% of full scale over recommended design flow range*
Output Frequency	3.2 Hz to 200 Hz
Output Pulse Width	5 msec ±25%

ORDERING INFORMATION

MODEL	MANUF. PART #	DESCRIPTION
U001-0001	220BR0005-1211	Flow, Sensor, Insert, Brass Sleeve, 3" to 40" (77 to 1016 mm) pipe
U001-0002	220SS0005-1211	Flow, Sensor, Insert, SS Sleeve, 3" to 40" (77 to 1016 mm) pipe
U001-0006	228BR2005-1211	Flow, Sensor, Insert, Bronze, 2" Bronze Tee
U001-0007	228CB2005-1211	Flow, Sensor, Insert, Bronze, 2" Iron Tee
U001-0025	228BR2505-1211	Flow, Sensor, Insert, Brass, 2.5" Bronze Tee
U001-0030	228CB2505-1211	Flow, Sensor, Insert, Brass, 2.5" Iron Tee
U001-0072	228BR2004-0211	Flow, Sensor, Insert, Brass, 2" FMCSA, Viton