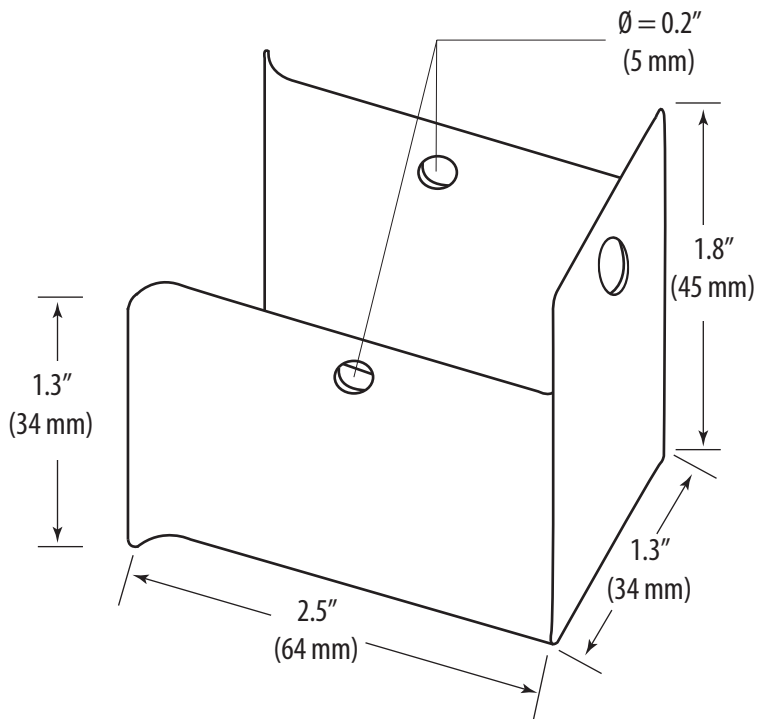


Mounting Bracket

Secure CTs to a Panel



DIMENSIONAL DRAWING



ACCESSORIES

ORDERING INFORMATION

MODEL	DESCRIPTION
AH06	Mounting Bracket Pair