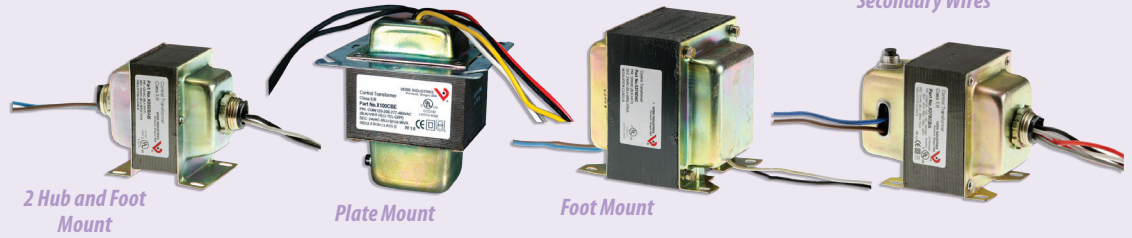


Control Transformers

1 Hub and Foot with Separate Secondary Wires



DESCRIPTION

Veris X Series Control Transformers are a convenient source of control power for HVAC control and building automation applications. A wide variety of UL-listed transformers are available with single and dual threaded hub mounting options. Multiple current limiting options are available, including a circuit breaker in some models. Save ordering time and purchase order costs when buying other Veris sensors by including transformers in your order.

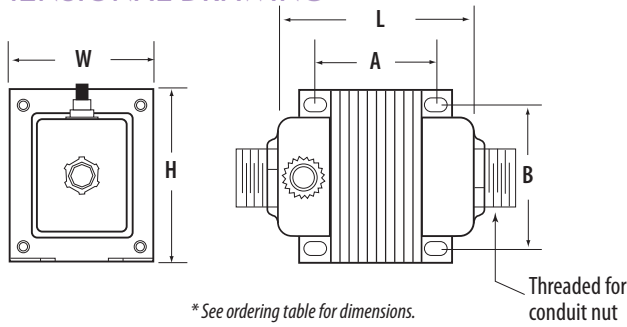
APPLICATIONS

- Controller power
- Switching relays and other digital I/O circuits
- Powering sensors

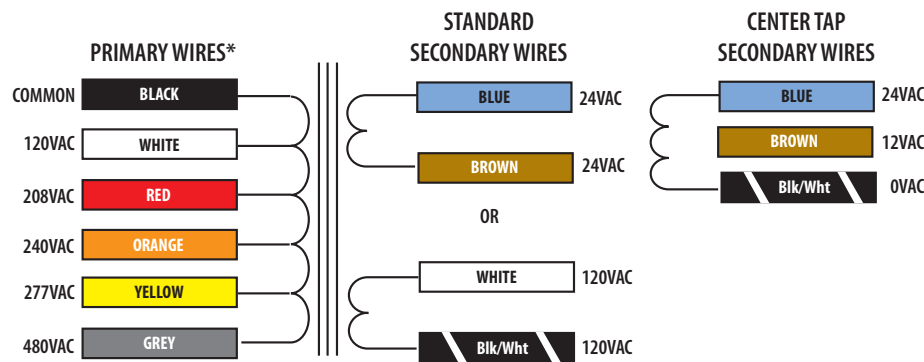
FEATURES

- UL Listings for all models simplify panel building requirements
- Threaded hub options maximize installation flexibility
- One stop shopping...save time by ordering along with other Veris products

DIMENSIONAL DRAWING



WIRE COLORS



*Primary of 24V isolation transformers=Red/Red

SPECIFICATIONS



| | |
|-----------------------|------------------------------|
| Frequency | 50/60Hz |
| Operating Temperature | -40° to 65°C (-40° to 149°F) |
| No Load Voltage | 27-28VAC |
| Hub Style | Fits 1/2" electrical k.o. |
| Wire | UL 1015, 18 AWG* |
| Wire Length | 8 inches |

*X085AAA, X375DAC have 14AWG, Secondary wires

POWER SOURCES

ORDERING INFORMATION



DIMENSIONS (inches)

| MODEL | VA | PRIMARY VOLTAGE (VAC) | SECONDARY VOLTAGE (VAC) | CURRENT LIMITING METHOD | CLASS | MOUNTING | SEPARATED PRIMARY & SECONDARY WIRES | UL | CE | L | W | H | A | B | | |
|-------------------|---------------------|-----------------------|-------------------------|-------------------------|-----------------|-----------------|-------------------------------------|---------|-----|-----|------|------|------|------|------|------|
| STANDARD | | | | | | | | | | | | | | | | |
| X020AAA | 20 | 120 | 24 | Inherent | II, III | 1HUB+FT | | ● | ● | 2.3 | 1.9 | 2.6 | 1.59 | 1.69 | | |
| X020ACA | | 277 | | Inherent | II, III | 1HUB+FT | | ● | ● | 2.3 | 1.9 | 2.6 | 1.59 | 1.69 | | |
| X020ADA | | 24 | | Inherent | General | 1HUB+FT | | ● | ● | 2.3 | 1.9 | 2.6 | 1.59 | 1.69 | | |
| X020ADB | 24 | Inherent | | General | 2HUB+FT | | ● | ● | 2.3 | 1.9 | 2.6 | 1.59 | 1.69 | | | |
| X040AAA | 40 | 120 | | Inherent | II, III | 1HUB+FT | | ● | ● | 2.7 | 2.2 | 2.9 | 1.98 | 1.81 | | |
| X040AAB | | 120 | | Inherent | II, III | 2HUB+FT | | ● | ● | 2.7 | 2.2 | 2.9 | 1.98 | 1.81 | | |
| X040ACA | | 277 | | Inherent | II, III | 1HUB+FT | | ● | ● | 2.7 | 2.2 | 2.9 | 1.98 | 1.81 | | |
| X040ADA | | 24 | | Inherent | II, III | 1HUB+FT | | ● | ● | 2.7 | 2.2 | 2.9 | 1.98 | 1.81 | | |
| X040AMB | | 120/208/240/277 | | Fuse | II, III | 2HUB+FT | | ● | ● | 2.7 | 2.2 | 2.9 | 1.98 | 1.81 | | |
| X040BNA | | 120/208/240 | | Fuse | II, III | 1HUB+FT | | ● | ● | 2.7 | 2.2 | 2.9 | 1.98 | 1.81 | | |
| X040BPC | 24 | 12/24 | Fuse | II, III | Foot | | ● | ● | 2.7 | 2.2 | 2.9 | 1.98 | 1.81 | | | |
| X050BAA | 50 | 120 | 24 | Fuse | II, III | 1HUB+FT | | ● | ● | 2.8 | 2.2 | 2.9 | 2.06 | 1.81 | | |
| X050BAB | | 120 | | Fuse | II, III | 2HUB+FT | | ● | ● | 2.8 | 2.2 | 2.9 | 2.06 | 1.81 | | |
| X050BCA | | 277 | | Fuse | II, III | 1HUB+FT | | ● | ● | 2.8 | 2.2 | 2.9 | 2.06 | 1.81 | | |
| X050BCB | | 277 | | Fuse | II, III | 2HUB+FT | | ● | ● | 2.8 | 2.2 | 2.9 | 2.06 | 1.81 | | |
| X050BGB | | 208/240 | | Fuse | II, III | 2HUB+FT | | ● | ● | 2.8 | 2.2 | 2.9 | 2.06 | 1.81 | | |
| X050CAA | | 120 | | Circuit Breaker | II, III | 1HUB+FT | | ● | ● | 3.5 | 2.5 | 3.1 | 1.91 | 2.03 | | |
| X050CBA | | 120/240/277/480 | | Circuit Breaker | II, III | 1HUB+FT | | ● | ● | 3.5 | 2.5 | 3.1 | 1.91 | 2.03 | | |
| X050CBB | | 120/240/277/480 | | Circuit Breaker | II, III | 2HUB+FT | | ● | ● | 3.5 | 2.5 | 3.1 | 1.91 | 2.03 | | |
| X050CCA | | 277 | | Circuit Breaker | II, III | 1HUB+FT | | ● | ● | 3.5 | 2.5 | 3.1 | 1.91 | 2.03 | | |
| X050CEB | | 208/240/277/480 | | Circuit Breaker | General | 2HUB+FT | | ● | ● | 3.5 | 2.5 | 3.1 | 1.91 | 2.03 | | |
| X050CEG | 208/240/277/480 | Circuit Breaker | General | Plate, 90° Sec Elbow | | ● | ● | 3.5 | 4.0 | 4.0 | 3.38 | 3.38 | | | | |
| X050CGG | 208/240 | Circuit Breaker | II, III | Plate, 90° Sec Elbow | | ● | ● | 4.0 | 4.0 | 4.0 | 3.38 | 3.38 | | | | |
| X050CHA | 120/208/240/480 | Circuit Breaker | II, III | 1HUB+FT | | ● | ● | 3.5 | 2.5 | 3.1 | 1.91 | 2.03 | | | | |
| X050CHB | 120/208/240/480 | Circuit Breaker | II, III | 2HUB+FT | | ● | ● | 3.5 | 2.5 | 3.1 | 1.91 | 2.03 | | | | |
| X050CNA | 120/208/240 | Circuit Breaker | II, III | 1HUB+FT | | ● | ● | 3.5 | 2.5 | 3.1 | 1.91 | 2.03 | | | | |
| X050CNB | 120/208/240 | Circuit Breaker | II, III | 2HUB+FT | | ● | ● | 3.5 | 2.5 | 3.1 | 1.91 | 2.03 | | | | |
| X050COA | 120/208/240/277/480 | Circuit Breaker | II, III | 1HUB+FT | | ● | ● | 3.5 | 2.5 | 3.1 | 1.91 | 2.03 | | | | |
| X050COB | 120/208/240/277/480 | Circuit Breaker | II, III | 1HUB+FT | | ● | ● | 4.3 | 2.5 | 3.1 | 2.70 | 2.00 | | | | |
| X050DLB | 220 | None | II, III | 2HUB+FT | | ● | ● | 2.8 | 2.2 | 2.9 | 2.06 | 1.81 | | | | |
| X075CAA | 75 | 120 | 24 | Circuit Breaker | II, III | 1HUB+FT | | ● | ● | 3.9 | 2.5 | 3.1 | 2.31 | 2.03 | | |
| X075CAB | | 120 | | Circuit Breaker | II, III | 2HUB+FT | | ● | ● | 3.9 | 2.5 | 3.1 | 2.31 | 2.03 | | |
| X075CBA | | 120/240/277/480 | | Circuit Breaker | II, III | 1HUB+FT | | ● | ● | 3.9 | 2.5 | 3.1 | 2.31 | 2.03 | | |
| X075CCA | | 277 | | Circuit Breaker | II, III | 1HUB+FT | | ● | ● | 3.9 | 2.5 | 3.1 | 2.31 | 2.03 | | |
| X075CHA | | 120/208/240/480 | | Circuit Breaker | II, III | 1HUB+FT | | ● | ● | 3.9 | 2.5 | 3.1 | 2.31 | 2.03 | | |
| X085AAA | 85 | 120 | Inherent | General | 1HUB+FT | | ● | ● | 3.2 | 3.8 | 3.2 | 2.2 | 3.14 | | | |
| X100CAA | 99 | 120 | 120 | Circuit Breaker | II, III | 1HUB+FT | | ● | ● | 4.1 | 2.5 | 3.1 | 2.51 | 2.03 | | |
| X100CAB | | 120 | | Circuit Breaker | II, III | 2HUB+FT | | ● | ● | 4.1 | 2.5 | 3.1 | 2.51 | 2.03 | | |
| X100CBA | | 120/240/277/480 | | Circuit Breaker | II, III | 1HUB+FT | | ● | ● | 4.3 | 2.5 | 3.1 | 2.70 | 2.03 | | |
| X100CBB | | 120/240/277/480 | | Circuit Breaker | II, III | 2HUB+FT | | ● | ● | 4.3 | 2.5 | 3.1 | 2.70 | 2.03 | | |
| X100CBE | | 120/208/277/480 | | Circuit Breaker | II, III | Plate | | ● | ● | 4.3 | 4.0 | 4.0 | 3.38 | 3.38 | | |
| X100CHB | | 120/208/240/480 | | Circuit Breaker | II, III | 2HUB+FT | | ● | ● | 4.3 | 2.5 | 3.1 | 2.70 | 2.03 | | |
| X100CKB | | 480 | | Circuit Breaker | General | 2HUB+FT | | ● | ● | 4.1 | 2.5 | 3.1 | 2.51 | 2.03 | | |
| X100CLB | | 220 | | Circuit Breaker | II, III | 2HUB+FT | | ● | ● | 4.1 | 2.5 | 3.1 | 2.51 | 2.03 | | |
| X150CAA | | 150 | | 120 | 24 | Circuit Breaker | General | 1HUB+FT | | ● | ● | 3.5 | 3.8 | 3.2 | 2.08 | 3.26 |
| X175BAB | | | | 120 | | Fuse | General | 2HUB+FT | | ● | ● | 4.1 | 3.8 | 3.2 | 3.19 | 3.14 |
| X175BLB | 220 | Fuse | General | Foot | | | ● | ● | 3.8 | 3.8 | 3.2 | 3.05 | 3.14 | | | |
| X175CAB | 175 | 120 | Circuit Breaker | General | | 2HUB+FT | | ● | ● | 4.1 | 3.8 | 3.2 | 3.19 | 3.14 | | |
| X175CLB | | 220 | Circuit Breaker | General | | Foot | | ● | ● | 3.8 | 3.8 | 3.2 | 3.05 | 3.14 | | |
| X175DGC | 208/240 | None | General | Foot | | | ● | ● | 4.1 | 3.8 | 3.2 | 3.19 | 3.14 | | | |
| X240DAA | 240 | 120 | None | General | | 1HUB+FT | | ● | ● | 3.7 | 3.8 | 4.5 | 3.24 | 3.18 | | |
| X375DAC | 375 | 120 | None | General | | Foot | | ● | ● | 4.3 | 3.8 | 4.5 | 3.83 | 3.18 | | |
| CENTER TAP | | | | | | | | | | | | | | | | |
| X020APC | 20 | 24 | 12/24 | Inherent | | II, III | Foot | | ● | ● | 2.3 | 1.9 | 2.6 | 1.59 | 1.69 | |
| X020AQC | | 120/208/240 | | Inherent | II, III | Foot | | ● | ● | 2.3 | 1.9 | 2.6 | 1.59 | 1.69 | | |
| X040BPC | 40 | 24 | | Fuse | II, III | Foot | | ● | ● | 2.7 | 2.2 | 2.9 | 1.98 | 1.81 | | |
| X040BQC | | 120/208/240 | | Fuse | II, III | Foot | | ● | ● | 2.7 | 2.2 | 2.9 | 1.98 | 1.81 | | |
| X050CIA | 50 | 120 | | Circuit Breaker | II, III | 1HUB+FT | | ● | ● | 2.8 | 2.2 | 2.9 | 2.06 | 1.81 | | |
| X100CRC | 100 | 120/240 | | Circuit Breaker | II, III | 1HUB+FT | | ● | ● | 4.3 | 2.5 | 3.1 | 2.70 | 2.03 | | |
| X100CSC | | | | 16/32 | Circuit Breaker | II, III | 1HUB+FT | | ● | ● | 4.3 | 2.5 | 3.1 | 2.70 | 2.00 | |

POWER SOURCES