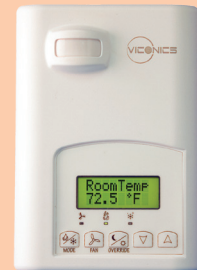


Communicating Thermostats: Analog Outputs, Fancoil Control

BACnet, Echelon, & Wireless
Models Available



VT7300F500



VT7300F5500

DESCRIPTION

The VT73xxF5x PI thermostat family is designed for fancoil control. The product features a backlit LCD display with dedicated function menu buttons for simple operation. Accurate temperature control is achieved with the PI proportional control algorithm, which virtually eliminates temperature offsets associated with traditional, differential-based thermostats. All models can control three, two, or single fan speeds. Three additional inputs are also provided for added functionality. All models feature configurable System and Fan button functions to meet a range of applications and an auxiliary contact that controls lighting or auxiliary reheating. All devices are also available with Echelon or BACnet MS-TP network adapters.

APPLICATIONS

- Heating/Cooling valves
- Three-speed fans
- Electric duct heaters
- Changeover sensors

FEATURES

- Models available with internal humidity sensing...increased occupant comfort through dehumidification
- Advanced occupancy functions through the network or smart local occupancy sensing
- 3 configurable inputs...adds functionality
- Configurable sequences of operation...single model meets more applications
- Configurable fan functions button...meets more applications with a single model
- Unique local configuration utility...minimizes parameter tampering
- Multi-level lockable keypad...tamper proof, no need for thermostat guards
- Auto Fan speed mode...increased occupant comfort in cooling mode by reducing humidity and less fan noise in all modes of operation
- Auxiliary output...can be used for lighting or reheating

SPECIFICATIONS

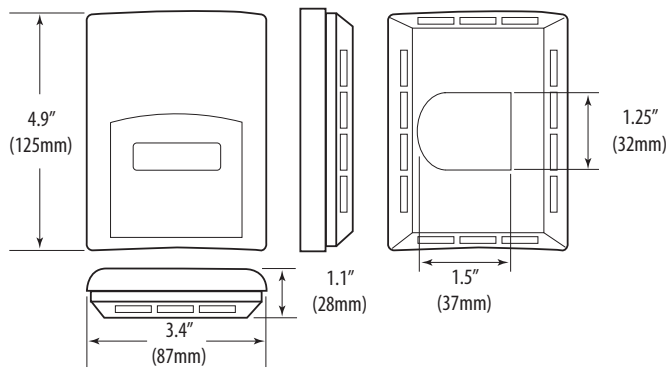


| | |
|---|---|
| Thermostat Power Requirements | 19-30VAC; 50 or 60 Hz; 2 VA Class 2 |
| Operating Conditions | 0° to 50°C (32° to 122°F); 0 to 95% RH non-condensing |
| Storage Conditions | -30° to 50°C (-22° to 122°F); 0 to 95% RH non-condensing |
| Temperature Sensor | Local 10 K NTC thermistor |
| Resolution | ± 0.1°C (± 0.2°F) |
| Control Accuracy | Temp: ±0.5°C (±0.9°F) @ 21°C (70°F) typical, calibrated; Humidity: ±3% from 20 to 70% RH at 21°C (70°F) |
| Occupied and Unoccupied Setpoint Range Cooling | 12° to 38°C (54° to 100°F) |
| Occupied and Unoccupied Setpoint Range Heating | 4.5° to 32°C (40° to 90°F) |
| Room and Outdoor Air Temperature Display | -40° to 50°C (-40° to 122°F) |
| Proportional Band for Room Temperature Range Control | Cooling & Heating: 1.8°C (3.2°F) |
| Binary Inputs | Dry contact across terminal BI1, BI2 & UI3 to Scm |
| Outputs Rating | Triac output: 30VAC, 1A max., 3A in-rush; Analog: 0 to 10VDC into 2kΩ resistance min. |
| Economizer Analog Output Rating | 0 to 10VDC into 2kΩ resistance min. |
| Economizer Analog Output Accuracy | ±3% typical |
| Wire Gauge | 18 gauge maximum, 22 gauge recommended |
| Dimensions | 4.94" x 3.38" x 1.13" |
| Approximate Shipping Weight | 0.75 lb (0.34 kg) |

UL: 873 (US) and CSA C22.2 No. 24 (Canada), File E27734 with CCN, XAPX (US) and XAPX7 (Canada)
 FCC: Compliant to CFR 47, Part 15, Subpart B, Class A (US)
 Industry Canada: ICES-003 (Canada)
 CE: EMC Directive 89/336/EEC (European Union)
 C-Tick: AS/NZS CISPR 22 Compliant (Australia / New Zealand); Supplier Code Number N10696

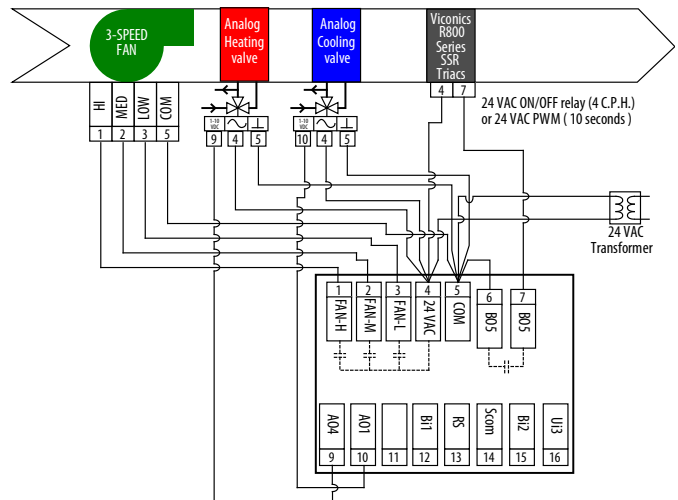
SETPOINT DEVICES

DIMENSIONAL DRAWING



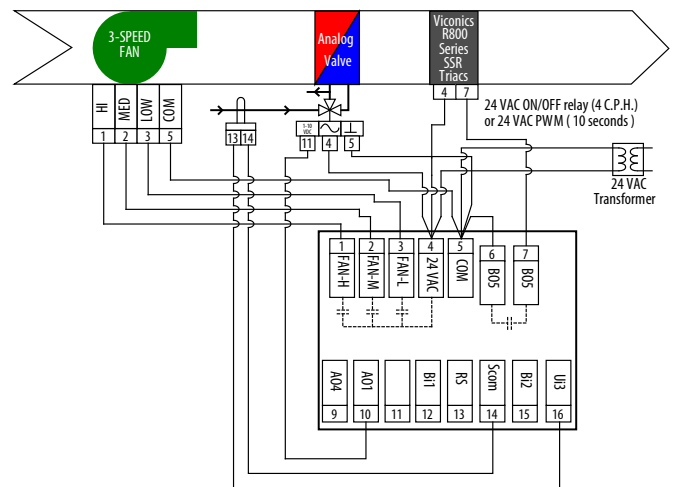
APPLICATION/WIRING EXAMPLES

Typical 4-Pipe Application



* Use for heating and cooling valves, 3-speed fans, and electric duct heaters.

Typical 2-Pipe Application



* Use for heating and cooling valves, 3-speed fans, electric duct heaters, and changeover sensors.

ORDERING INFORMATION



| MANUF. PART # | ORDERING # | DESCRIPTION | COMM. |
|---------------|------------|---|-------------------|
| VT7300F5000 | U009-0049 | Fancoil Commercial 2 Analog | Stand alone |
| VT7300F5000B | U009-0050 | + 1 Auxiliary; | BACnet (MS/TP) |
| VT7300F5000E | U009-0051 | PIR Ready (PIR cover not included) | Echelon |
| VT7300F5000W | U009-0052 | | Wireless (Zigbee) |
| VT7305F5000 | U009-0053 | Fancoil Hotel 2 Analog + 1 Auxiliary; | Stand alone |
| VT7305F5000B | U009-0054 | PIR Ready (PIR cover not included) | BACnet (MS/TP) |
| VT7305F5000E | U009-0055 | | Echelon |
| VT7305F5000W | U009-0056 | | Wireless (Zigbee) |
| VT7350F5000 | U009-0057 | Fancoil Commercial 2 Analog + 1 Auxiliary + RH; | Stand alone |
| VT7350F5000B | U009-0058 | PIR Ready (PIR cover not included) | BACnet (MS/TP) |
| VT7350F5000E | U009-0059 | | Echelon |
| VT7350F5000W | U009-0060 | | Wireless (Zigbee) |
| VT7355F5000 | U009-0061 | Fancoil Hotel 2 Analog + 1 Auxiliary + RH; | Stand alone |
| VT7355F5000B | U009-0062 | PIR Ready (PIR cover not included) | BACnet (MS/TP) |
| VT7355F5000E | U009-0063 | | Echelon |
| VT7355F5000W | U009-0064 | | Wireless (Zigbee) |
| VT7300F5500 | U009-0065 | Fancoil Commercial 2 Analog + 1 Auxiliary; | Stand alone |
| VT7300F5500B | U009-0066 | PIR factory equipped | BACnet (MS/TP) |
| VT7300F5500E | U009-0067 | | Echelon |
| VT7300F5500W | U009-0068 | | Wireless (Zigbee) |
| VT7305F5500 | U009-0069 | Fancoil Hotel 2 Analog + 1 Auxiliary; | Stand alone |
| VT7305F5500B | U009-0070 | PIR factory equipped | BACnet (MS/TP) |
| VT7305F5500E | U009-0071 | | Echelon |
| VT7305F5500W | U009-0072 | | Wireless (Zigbee) |
| VT7350F5500 | U009-0073 | Fancoil Commercial 2 Analog + 1 Auxiliary + RH; | Stand alone |
| VT7350F5500B | U009-0074 | PIR factory equipped | BACnet (MS/TP) |
| VT7350F5500E | U009-0075 | | Echelon |
| VT7350F5500W | U009-0076 | | Wireless (Zigbee) |
| VT7355F5500 | U009-0077 | Fancoil Hotel 2 Analog + 1 Auxiliary + RH; | Stand alone |
| VT7355F5500B | U009-0078 | PIR factory equipped | BACnet (MS/TP) |
| VT7355F5500E | U009-0079 | | Echelon |
| VT7355F5500W | U009-0080 | | Wireless (Zigbee) |