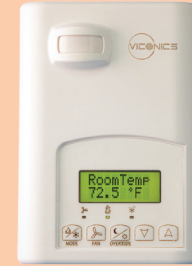


# Communicating Thermostats: Floating Outputs, Fancoil Control

BACnet, Echelon, & Wireless  
Models Available



VT7300A5000



VT7300A5500

## DESCRIPTION

The VT73xxC5x PI thermostat family is designed for fancoil control. The product features a backlit LCD display with dedicated function menu buttons for simple operation. Accurate temperature control is achieved with the PI proportional control algorithm, which virtually eliminates temperature offsets associated with traditional, differential-based thermostats. All models can control three, two, or single fan speeds. Three additional inputs are also provided for added functionality. All models feature configurable System and Fan button functions to meet a range of applications and an auxiliary contact that controls lighting or auxiliary reheating. All devices are also available with Echelon or BACnet MS-TP network adapters.

## APPLICATIONS

- Three-speed fans
- Heating/Cooling valves
- Electric duct heaters
- Changeover sensors

## FEATURES

- Models available with internal humidity sensing...increased occupant comfort through dehumidification
- Advanced occupancy functions through the network or smart local occupancy sensing
- 3 configurable inputs...adds functionality
- Configurable sequences of operation...single model meets more applications
- Configurable fan functions button...meets more applications with a single model
- Unique local configuration utility...minimizes parameter tampering
- Multi-level lockable keypad...tamper proof, no need for thermostat guards
- Auto Fan speed mode...increased occupant comfort in cooling mode by reducing humidity and less fan noise in all modes of operation
- Auxiliary output...can be used for lighting or reheating

## SPECIFICATIONS



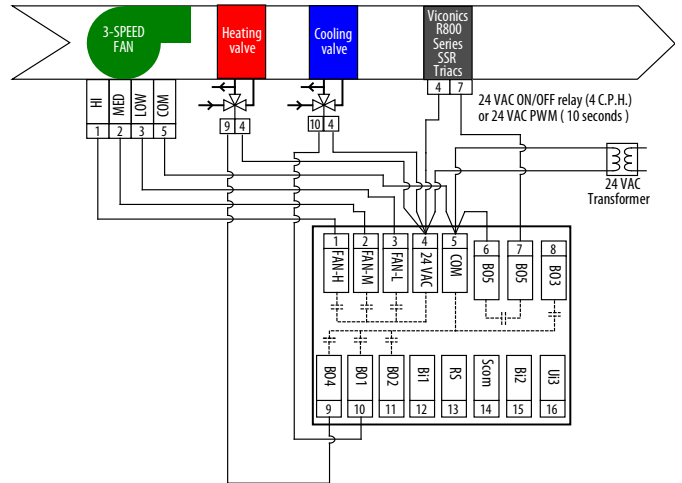
<b>Thermostat Power Requirements</b>	19-30VAC; 50 or 60 Hz; 2 VA Class 2
<b>Operating Conditions</b>	0° to 50°C (32° to 122°F); 0 to 95% RH non-condensing
<b>Storage Conditions</b>	-30° to 50°C (-22° to 122°F); 0 to 95% RH non-condensing
<b>Temperature Sensor</b>	Local 10 K NTC thermistor
<b>Resolution</b>	± 0.1°C (± 0.2°F)
<b>Control Accuracy</b>	Temp: ±0.5°C (±0.9°F) @ 21°C (70°F) typical, calibrated; Humidity: ±3% from 20 to 70% RH at 21°C (70°F)
<b>Occupied and Unoccupied Setpoint Range Cooling</b>	12° to 38°C (54° to 100°F)
<b>Occupied and Unoccupied Setpoint Range Heating</b>	4.5° to 32°C (40° to 90°F)
<b>Room and Outdoor Air Temperature Display</b>	-40° to 50°C (-40° to 122°F)
<b>Proportional Band for Room Temperature Range Control</b>	Cooling & Heating: 1.8°C (3.2°F)
<b>Binary Inputs</b>	Dry contact across terminal BI1, BI2 & UI3 to Scm
<b>Outputs Rating</b>	Triac output: 30VAC, 1A max., 3A in-rush; Analog: 0 to 10VDC into 2kΩ resistance min.
<b>Economizer Analog Output Rating</b>	0 to 10VDC into 2kΩ resistance min.
<b>Economizer Analog Output Accuracy</b>	±3% typical
<b>Wire Gauge</b>	18 gauge maximum, 22 gauge recommended
<b>Dimensions</b>	4.94" x 3.38" x 1.13"
<b>Approximate Shipping Weight</b>	0.75 lb (0.34 kg)

UL: 873 (US) and CSA C22.2 No. 24 (Canada), File E27734 with CCN, XAPX (US) and XAPX7 (Canada)  
 FCC: Compliant to CFR 47, Part 15, Subpart B, Class A (US)  
 Industry Canada: ICES-003 (Canada)  
 CE: EMC Directive 89/336/EEC (European Union)  
 C-Tick: AS/NZS CISPR 22 Compliant (Australia / New Zealand); Supplier Code Number N10696

ORDERING INFORMATION

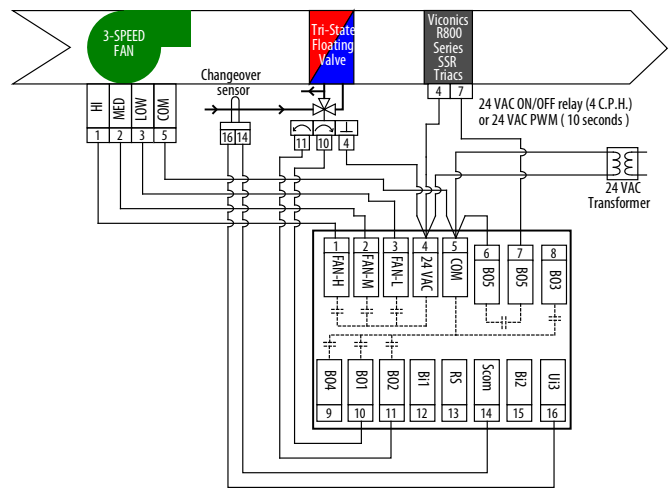
APPLICATION/WIRING EXAMPLES

Typical 4-Pipe Application, On/Off Outputs



\* Use for heating and cooling valves, 3-speed fans, and electric duct heaters.

Typical 2-Pipe Application, Floating Outputs



\* Use for heating and cooling valves, 3-speed fans, and electric duct heaters.

MANUF. PART #	ORDERING #	DESCRIPTION	COMM.
VT7300A5000	U009-0001	Fancoil Commercial 2 Digital + 1 Auxiliary; PIR Ready (PIR cover not included)	Stand alone
VT7300A5000B	U009-0002		BACnet (MS/TP)
VT7300A5000E	U009-0003		Echelon
VT7300A5000W	U009-0004		Wireless (Zigbee)
VT7300C5000	U009-0005	Fancoil Commercial 2 Floating + 1 Auxiliary; PIR Ready (PIR cover not included)	Stand alone
VT7300C5000B	U009-0006		BACnet (MS/TP)
VT7300C5000E	U009-0007		Echelon
VT7300C5000W	U009-0008		Wireless (Zigbee)
VT7305A5000	U009-0009	Fancoil Hotel 2 Digital + 1 Auxiliary; PIR Ready (PIR cover not included)	Stand alone
VT7305A5000B	U009-0010		BACnet (MS/TP)
VT7305A5000E	U009-0011		Echelon
VT7305A5000W	U009-0012		Wireless (Zigbee)
VT7305C5000	U009-0013	Fancoil Hotel 2 Floating + 1 Auxiliary; PIR Ready (PIR cover not included)	Stand alone
VT7305C5000B	U009-0014		BACnet (MS/TP)
VT7305C5000E	U009-0015		Echelon
VT7305C5000W	U009-0016		Wireless (Zigbee)
VT7350C5000	U009-0017	Fancoil Commercial 2 Floating + 1 Auxiliary + RH; PIR Ready (PIR cover not included)	Stand alone
VT7350C5000B	U009-0018		BACnet (MS/TP)
VT7350C5000E	U009-0019		Echelon
VT7350C5000W	U009-0020		Wireless (Zigbee)
VT7355C5000	U009-0021	Fancoil Hotel 2 Floating + 1 Auxiliary + RH; PIR Ready (PIR cover not included)	Stand alone
VT7355C5000B	U009-0022		BACnet (MS/TP)
VT7355C5000E	U009-0023		Echelon
VT7355C5000W	U009-0024		Wireless (Zigbee)
VT7300A5500	U009-0025	Fancoil Commercial 2 Digital + 1 Auxiliary; PIR factory equipped	Stand alone
VT7300A5500B	U009-0026		BACnet (MS/TP)
VT7300A5500E	U009-0027		Echelon
VT7300A5500W	U009-0028		Wireless (Zigbee)
VT7305A5500	U009-0029	Fancoil Hotel 2 Digital + 1 Auxiliary; PIR factory equipped	Stand alone
VT7305A5500B	U009-0030		BACnet (MS/TP)
VT7305A5500E	U009-0031		Echelon
VT7305A5500W	U009-0032		Wireless (Zigbee)
VT7300C5500	U009-0033	Fancoil Commercial 2 Floating + 1 Auxiliary; PIR factory equipped	Stand alone
VT7300C5500B	U009-0034		BACnet (MS/TP)
VT7300C5500E	U009-0035		Echelon
VT7300C5500W	U009-0036		Wireless (Zigbee)
VT7305C5500	U009-0037	Fancoil Hotel 2 Floating + 1 Auxiliary; PIR factory equipped	Stand alone
VT7305C5500B	U009-0038		BACnet (MS/TP)
VT7305C5500E	U009-0039		Echelon
VT7305C5500W	U009-0040		Wireless (Zigbee)
VT7350C5500	U009-0041	Fancoil Commercial 2 Floating + 1 Auxiliary + RH; PIR factory equipped	Stand alone
VT7350C5500B	U009-0042		BACnet (MS/TP)
VT7350C5500E	U009-0043		Echelon
VT7350C5500W	U009-0044		Wireless (Zigbee)
VT7355C5500	U009-0045	Fancoil Hotel 2 Floating + 1 Auxiliary + RH; PIR factory equipped	Stand alone
VT7355C5500B	U009-0046		BACnet (MS/TP)
VT7355C5500E	U009-0047		Echelon
VT7355C5500W	U009-0048		Wireless (Zigbee)

DIMENSIONAL DRAWING

