

# Communicating Thermostats: Analog Outputs, Zone Control

BACnet, Echelon, And Wireless  
Models Available



VT7200F5000



VT7200F5500

## DESCRIPTION

The VT7200F5x00 series features a backlit LCD display with dedicated function menu keys for simple operation. Accurate temperature control is achieved using the PI proportional control algorithm. Models have two analog 0-10VDC outputs. Remote room sensing is also available. All models contain an auxiliary contact that can be used to control lighting or auxiliary reheat. All devices are also available with Echelon, BACnet MS-TP, or wireless network adapters.

## APPLICATIONS

- Heating/Cooling valves
- Electric duct heaters
- Changeover sensors

## FEATURES

- Advanced occupancy functions through the network or smart local occupancy sensing
- 3 configurable inputs...adds functionality
- Pre-configured sequences of operation...one model meets more applications... reduces project delivery cost
- Unique local configuration utility...minimizes parameter tampering
- Lockable keypad...tamper proof, no need for thermostat guards
- Available for analog control...meet advanced applications requirements
- Auxiliary output...can be used for lighting or reheating
- Available with various open industry standard communication adapters...adds network integration functionality for additional savings

## SPECIFICATIONS

<b>Thermostat Power Requirements</b>	19-30VAC; 50 or 60 Hz; 2VA Class 2
<b>Operating Conditions</b>	0° to 50°C (32° to 122°F); 0 to 95% RH non-condensing
<b>Storage Conditions</b>	-30° to 50°C (-22° to 122°F); 0 to 95% RH non-condensing
<b>Temperature Sensor</b>	Local 10 K NTC thermistor
<b>Resolution</b>	± 0.1°C (± 0.2°F)
<b>Control Accuracy</b>	Temp: ±0.5°C (±0.9°F) @ 21°C (70°F) typical, calibrated
<b>Occupied and Unoccupied Setpoint Range Cooling</b>	12° to 38°C (54° to 100°F)
<b>Occupied and Unoccupied Setpoint Range Heating</b>	4.5° to 32°C (40° to 90°F)
<b>Room and Outdoor Air Temperature Display</b>	-40° to 50°C (-40° to 122°F)
<b>Proportional Band for Room Temperature Range Control</b>	Cooling & Heating: 1.8°C (3.2°F)
<b>Binary Inputs</b>	Dry contact across terminal BI1, BI2 & UI3 to Scom
<b>Outputs Rating</b>	Triac output: 30VAC, 1A max., 3A in-rush; Analog: 0 to 10VDC into 2kΩ resistance min.
<b>Economizer Analog Output Rating</b>	0 to 10VDC into 2kΩ resistance min.
<b>Economizer Analog Output Accuracy</b>	±3% typical
<b>Wire Gauge</b>	18 gauge maximum, 22 gauge recommended
<b>Dimensions</b>	4.94" x 3.38" x 1.13"
<b>Approximate Shipping Weight</b>	0.75 lb (0.34 kg)

UL: 873 (US) and CSA C22.2 No. 24 (Canada), File E27734 with CCN, XAPX (US) and XAPX7 (Canada)

FCC: Compliant to CFR 47, Part 15, Subpart B, Class A (US)

Industry Canada: ICES-003 (Canada)

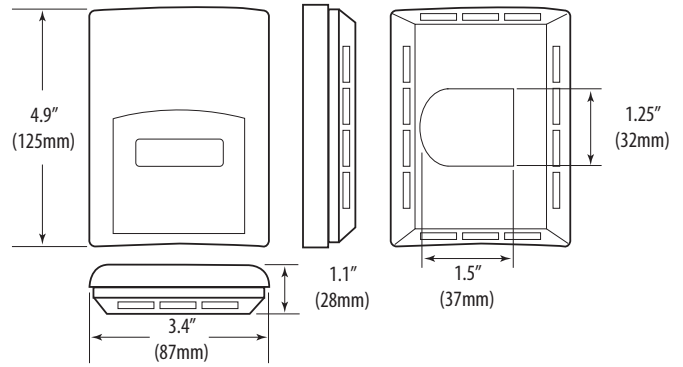
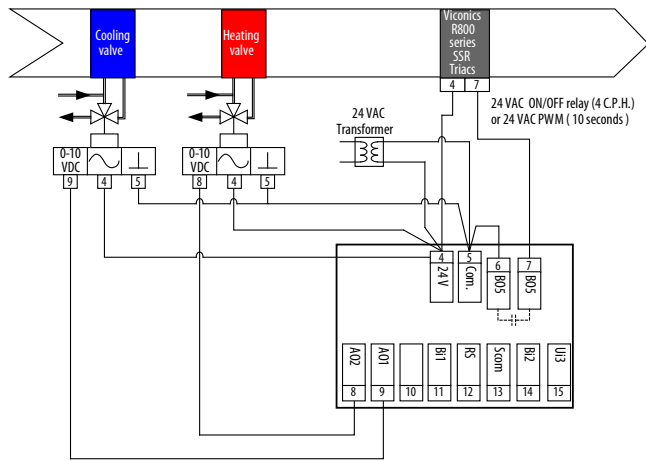
CE: EMC Directive 89/336/EEC (European Union)

C-Tick: AS/NZS CISPR 22 Compliant (Australia / New Zealand); Supplier Code Number N10696

APPLICATION/WIRING EXAMPLES

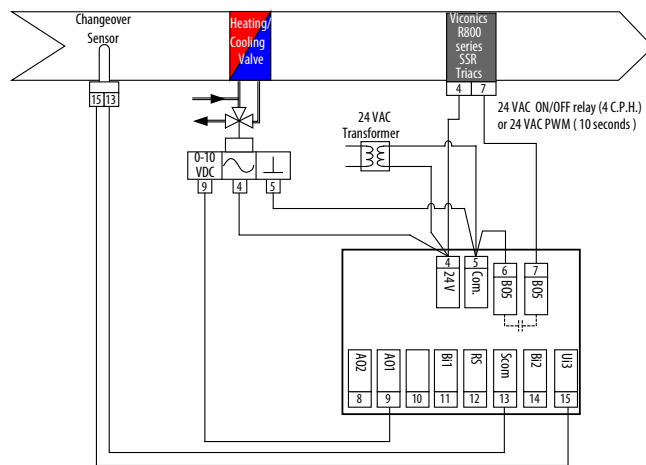
DIMENSIONAL DRAWING

Typical 4-Pipe Application



\* Use for heating and cooling valves and electric duct heaters.

Typical 2-Pipe Application



\* Use for heating and cooling valves, electric duct heaters, and changeover sensors.

SETPOINT DEVICES

ORDERING INFORMATION



MANUF. PART #	ORDERING #	DESCRIPTION	COMM.
VT7200F5000	U008-0009	Zone Thermostat with 2 Analog	Stand alone
VT7200F5000B	U008-0010	+ 1 Digital;	BACnet (MS/TP)
VT7200F5000E	U008-0011	PIR ready (PIR cover not included)	Echelon
VT7200F5000W	U008-0012		Wireless (Zigbee)
VT7200F5500	U008-0013	Zone Thermostat with 2 Analog	Stand alone
VT7200F5500B	U008-0014	+ 1 Digital;	BACnet (MS/TP)
VT7200F5500E	U008-0015	PIR factory-equipped	Echelon
VT7200F5500W	U008-0016		Wireless (Zigbee)