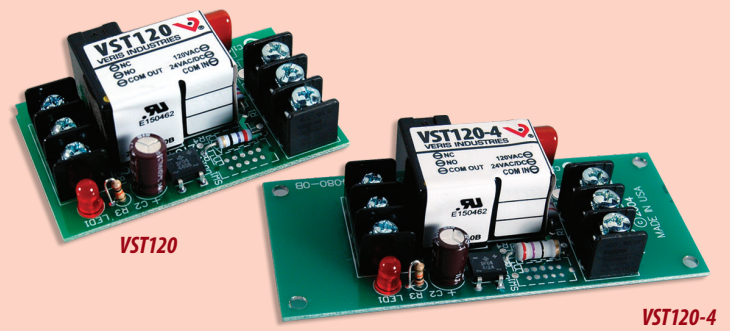


SNAPTRACK™ 20A SPDT Relays



Space Saving Open Style Relays

DESCRIPTION

The VST120 Series track mount industrial-strength relays will easily mount to either 2.75" or 4" SNAPTRACK™. The space-saving design allows you to fit many relays in a single electrical box for easy installation and servicing. These devices include convenience-adding features, such as an LED for status indication and an HOA switch for local control (see ordering table for models with HOA switches).

APPLICATIONS

- Lighting panels
- Control motors
- Isolation
- Device interlocking

FEATURES

- Relay logic
- Sense voltages for alarm conditions
- Mount relay right in panel to save installation time and space on the jobsite
- HOA switch allows for easy job commissioning (VST121(-4))
- LED to prove status...saving labor costs
- High power 20A relay
- 4" models come with pre-drilled holes for direct panel/wall mounting...one unit with multiple mounting options

TYPICAL COIL PERFORMANCE

Voltage	Coil Current	
	AC	DC
24V.....	75mA	32mA
120V.....	42mA	-

CONTACT RATINGS

Resistive.....	20A@250VAC
	10A@28VDC
Motor.....	120VAC, 1HP

SPECIFICATIONS



Operating Temperature	0° to 60°C (32° to 140°F)
Operating Humidity	10-90% RH non-condensing
Relay Status	LED ON=energized
Auxiliary Supply for HOA	24VAC/DC (supplied from a Class 2 or LVLE source)*
Expected Relay Life	Electrical (@ rated current) 100,000 cycles; Mechanical (unpowered) 10,000,000 cycles
Insulation Class	600VAC RMS (coil to contact); 120VAC RMS (terminal to surface)

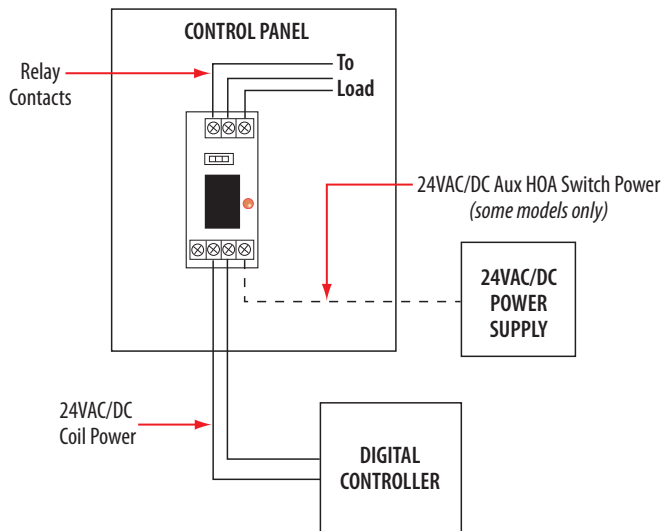
UL 508 open device recognition

*Class 2 source: A source that provides a Class 2 power supply as defined by the NEC, NFPA70.

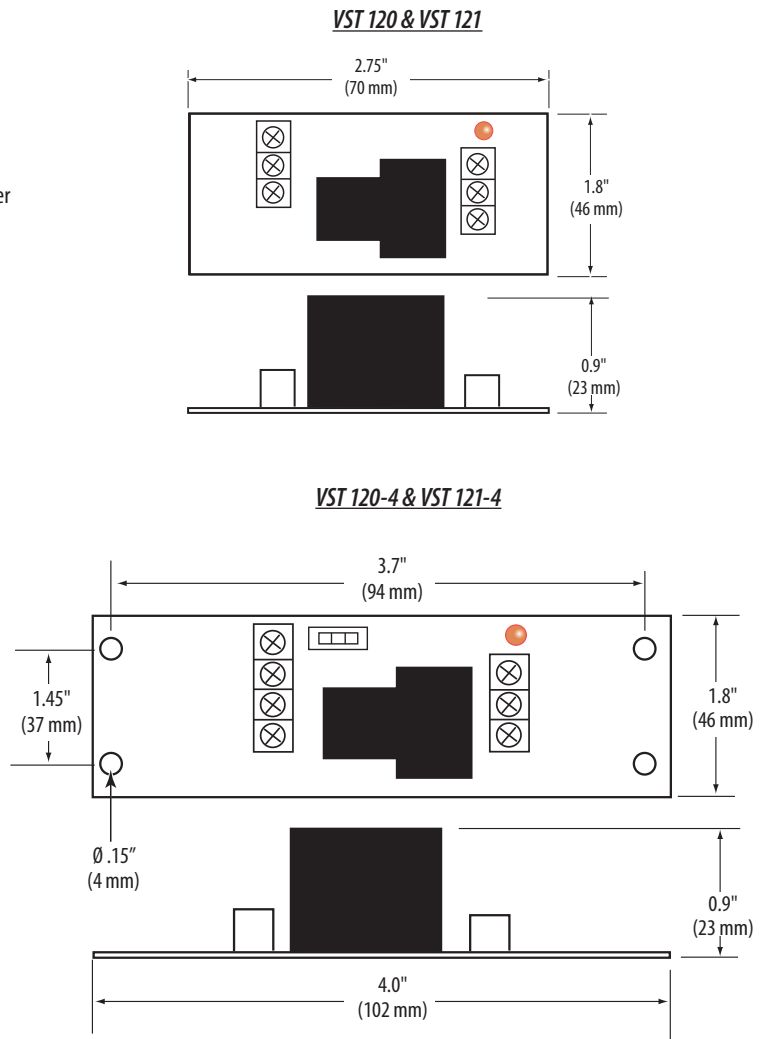
LVLE: Low voltage limited energy, not capable of providing more than 30VAC/42.4VDC, 8A or 100VA

SNAPTRACK is a trademark of Tyco Electronics.

APPLICATION/WIRING EXAMPLE



DIMENSIONAL DRAWINGS



RELAYS

ORDERING INFORMATION



MODEL	RELAY	COIL	AMPERAGE RATING	HOA	LENGTH	RELAY POWER LED	UL
VST120	SPDT	24VAC/DC, 120VAC	20A	No	2.75"	●	●
VST120-4				No	4.0"	●	●
VST121				Yes*	2.75"	●	●
VST121-4				Yes*	4.0"	●	●

*Coil side Hand-Off-Auto switch contained in low-voltage portion of input circuit

ACCESSORIES

2" and 12" lengths of SNAPTRACK™ (AV03, AV04, AV05, AV06)

