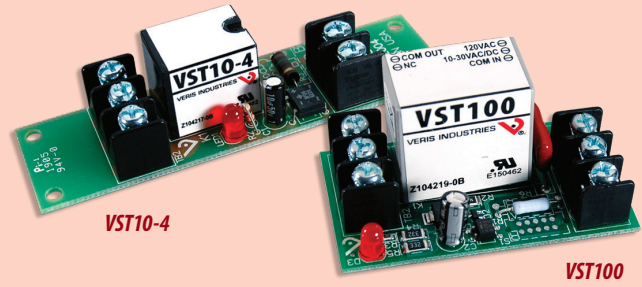


# SNAPTRACK™ 10A SPDT Relays



## Space Saving Open Style Relays

### DESCRIPTION

VST10 and VST100 Series track mount relays are industrial-strength relays that easily mount to either 2.75" or 4" SNAPTRACK™. Fit many relays in a small electrical box for easy installation and service, as well as saving space on the job site. All models are manufactured with an LED for status indication. Some models are available with an HOA switch for local control.

### APPLICATIONS

- Sense voltages for alarm conditions
- Relay logic
- Isolation
- Device interlocking

### FEATURES

- Mount relay right in the panel to save installation time and space on the jobsite
- HOA switch allows for easy job commissioning
- LED to prove status...saves labor costs
- 10A SPDT relay for low power applications...provides versatility
- 4" models come with pre-drilled holes for direct panel/wall mounting...one unit for multiple mounting options

### TYPICAL COIL PERFORMANCE

VST10/VST11 VOLTAGE	Coil Current	
	AC	DC
24V.....	32mA	15mA

VST100/VST101 VOLTAGE	Coil Current	
	AC	DC
30V.....	39mA	18mA
120V.....	22mA	

### CONTACT RATINGS

<b>VST10/VST11</b>	
Resistive.....	10A@240VAC 5A@30VDC
Motor.....	120VAC, 1/4HP N.O. 1/8 HP N.C.
<b>VST100/VST101</b>	
Resistive.....	10A@240VAC, 28VDC
Motor.....	120VAC, 1/3HP N.O. 1/6 HP N.C. 240VAC, 1/3HP N.O. 1/6 HP N.C.

### SPECIFICATIONS



Operating Temperature	0° to 60°C (32° to 140°F)
Operating Humidity	10-90% RH non-condensing
Relay Status	LED ON=energized
Auxiliary Supply for HOA	24VAC/DC (supplied from a Class 2 or LVLE source)*
Expected Relay Life	Electrical (@ rated current) 100,000 cycles; Mechanical (unpowered) 10,000,000 cycles
Insulation Class	600VAC RMS (coil to contact); 120VAC RMS (terminal to surface)

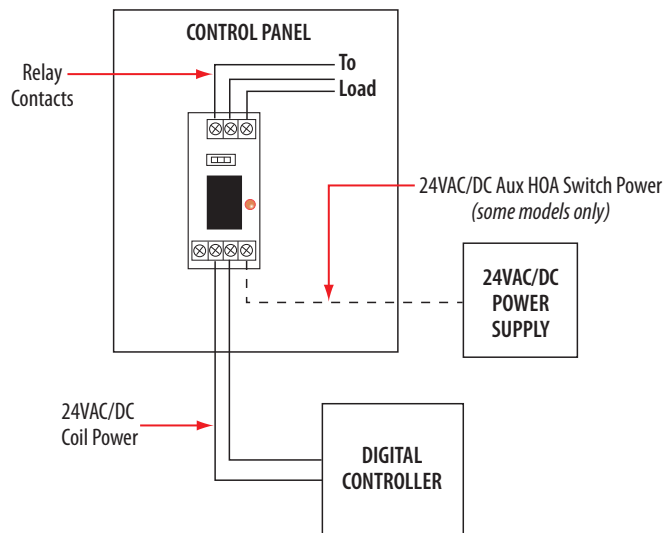
UL 508 open device listing

\*Class 2 source: A source that provides a Class 2 power supply as defined by the NEC, NFPA-70.

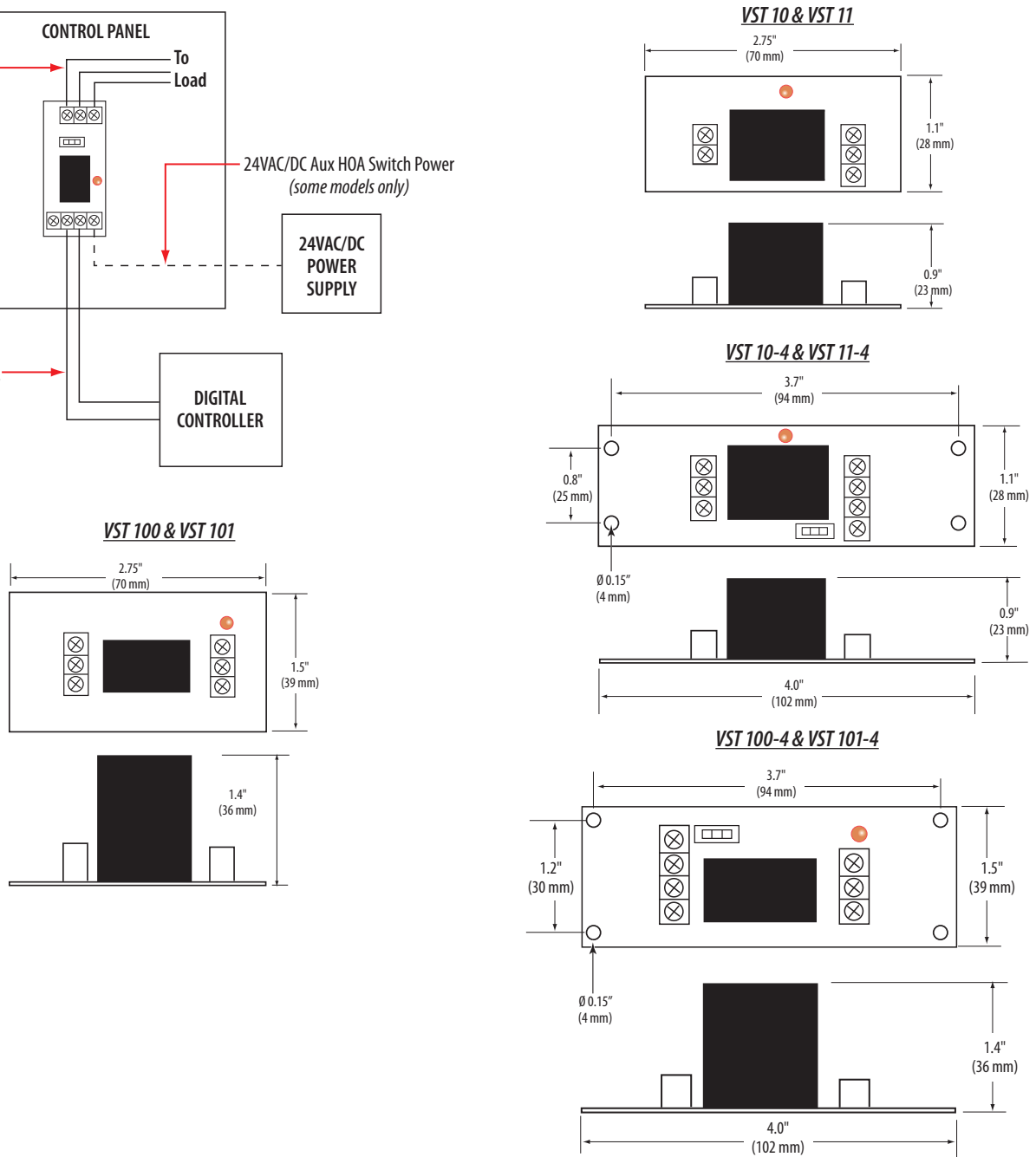
LVLE: Low voltage limited energy, not capable of providing more than 30VAC/42.4VDC, 8 A or 100VA

SNAPTRACK is a trademark of Tyco Electronics.

### APPLICATION/WIRING EXAMPLES



### DIMENSIONAL DRAWINGS



**RELAYS**

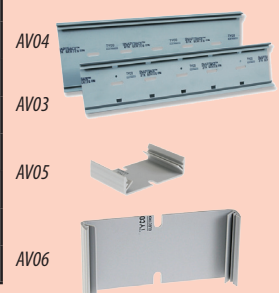
### ORDERING INFORMATION



MODEL	RELAY	COIL	AMPERAGE RATING	HOA	LENGTH	RELAY POWER LED	UL
VST10	SPDT	24VAC/DC	10A	No	2.75"	●	●
VST10-4		24VAC/DC		No	4.0"	●	●
VST11		24VAC/DC		Yes*	2.75"	●	●
VST11-4		24VAC/DC		Yes*	4.0"	●	●
VST100		10-30VAC/DC, 120VAC		No	2.75"	●	●
VST100-4		10-30VAC/DC, 120VAC		No	4.0"	●	●
VST101		10-30VAC/DC, 120VAC		Yes*	2.75"	●	●
VST101-4		10-30VAC/DC, 120VAC		Yes*	4.0"	●	●

### ACCESSORIES

2" and 12" lengths of SNAPTRACK™ (AV03, AV04, AV05, AV06)



\*Coil side Hand-Off-Auto switch contained in low-voltage portion of input circuit