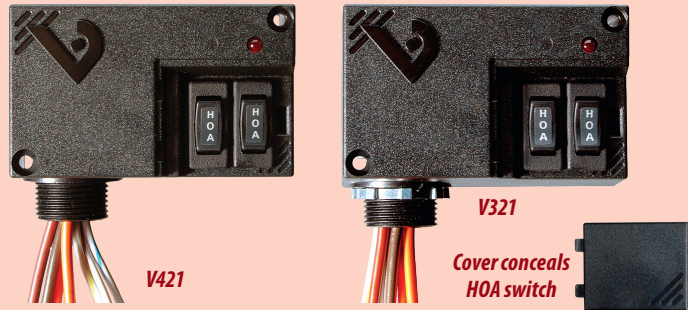


Enclosed Victory Relays: 20A DPST, with HOA Switch

HOA Switch Provides Local Control



DESCRIPTION

The **Victory 321 and 421** DPST power duty enclosed relays combine an industrial-strength relay with installation flexibility...use the nipple mount to attach to any enclosure. One coil input controls the state of two power-rated contacts for simultaneous control of two devices or both poles of a single-phase load. Each output is enabled with a Hand-Off-Auto switch for local control. The Victory series does not require a dedicated field enclosure, so it is ideal for retrofit projects. Field-selectable high and low voltage coil inputs provide on-site versatility.

APPLICATIONS

- Command contactors
- Control motors
- Isolation
- Device interlocking
- Relay logic
- Sense voltages for alarm conditions
- Control fractional HP motors

FEATURES

- Sleek field enclosure reduces the need for panel space
- Versatile coil and contact ratings minimize the number of models to choose
- The nipple mount feature allows the Victory series to be mounted to any electrical enclosure
- Flexible tinned stranded wire...fits easily in tight spaces and provides secure connections to wire nuts
- UL508 Listed...designed and listed for field installation...makes electrical inspection a snap
- Products include a cover that conceals and protects the HOA switch, reducing the likelihood of tampering
- Limit costly control system override and service calls
- Separate HOA switch per output...local control of both outputs

RELAYS

TYPICAL COIL PERFORMANCE

Voltage	Coil Current	
	AC	DC
24V.....	120mA	64mA
120V.....	84mA	-
277V.....	102mA	-

CONTACT RATINGS

Resistive.....	20A@240VAC
	8A@28VDC
	14A@14VDC
Motor.....	120VAC, 1HP

SPECIFICATIONS



Operating Temperature	-40° to 40°C (-40° to 104°F)
Operating Humidity	10-90% RH non-condensing
Expected Relay Life	Electrical (@ rated current) 100,000 cycles; Mechanical (unpowered) 10,000,000 cycles
Relay Status	LED ON=energized

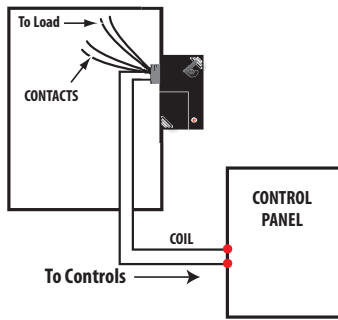
Wire Specifications:

Lead Length	14" (356 mm) min.
Gauge	UL1015; Coil: 18 AWG; Contacts: 12 AWG; HOA monitor wires: 16 AWG
Insulation Class	277VAC RMS

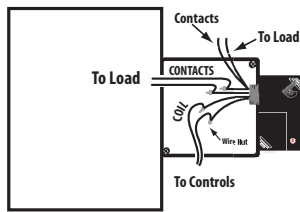
UL 508 enclosed device listing

APPLICATION/WIRING EXAMPLES

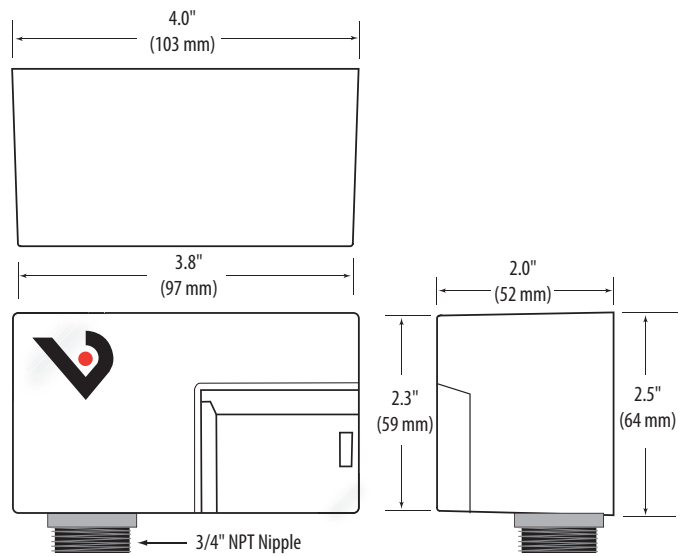
Nipple mount directly to a panel



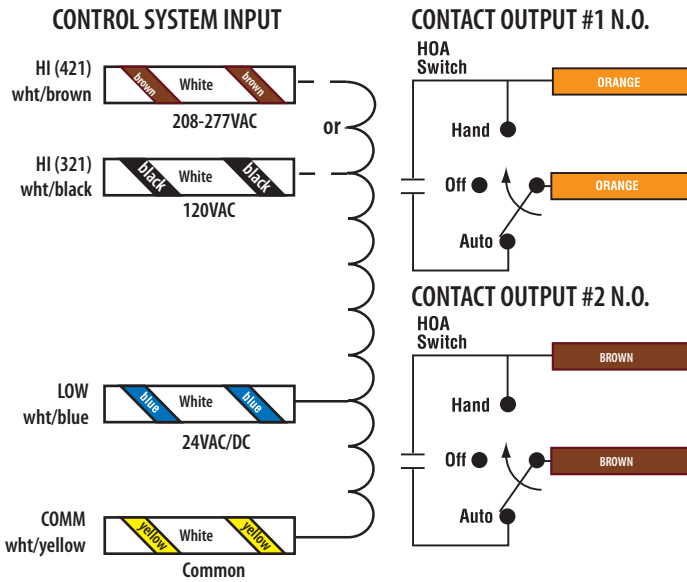
Nipple mount to any 2x or 4x electrical box



DIMENSIONAL DRAWING



WIRE COLOR CODES



ORDERING INFORMATION



MODEL	RELAY	COIL	AMPERAGE RATING	HOA	RELAY POWER LED	UL
V321	DPST	24VAC/DC, 120VAC	20A	●	●	●
V421		24VAC/DC, 208-277VAC		●	●	●

Some units are Plenum rated per UL 1995...see White Paper VWP01 at veris.com for details