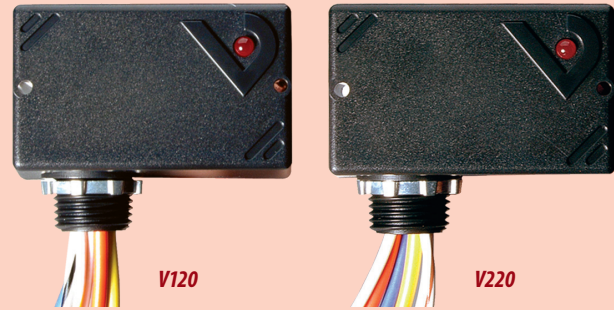


Enclosed Victory Relays: 20A SPDT

Great For External
Mount Applications



DESCRIPTION

The **Victory 120 and 220** 20A SPDT enclosed relays combine a power duty relay with a high level of field-selectability and versatility. The device is quick and easy to install using the threaded nipple mount. With no need for a dedicated field enclosure, this series is ideal for retrofit projects.

APPLICATIONS

- Command contactors
- Control motors
- Isolation
- Device interlocking
- Relay logic
- Sense voltages for alarm conditions

FEATURES

- Sleek field enclosure reduces the need for panel space
- The nipple mount feature allows the V120/220 Series to be mounted to any electrical enclosure
- HP Ratings make the V120/V220 ideal for control of fractional HP motors
- Flexible tinned stranded wire...fits easily in tight spaces and provides secure connections to wire nuts
- UL508 Listed...designed and listed for field installation...makes electrical inspection a snap

TYPICAL COIL PERFORMANCE

Voltage	Coil Current	
	AC	DC
24V.....	75mA	32mA
120V.....	42mA	-
208V.....	36mA	-
277V.....	49mA	-

CONTACT RATINGS

Resistive.....	20A@277VAC, 28VDC
Motor.....	120VAC, 1HP 277VAC, 2HP
Pilot Duty.....	A300
Ballast.....	277VAC, 20A N.O. 277VAC, 10A N.C.
Tungsten.....	120VAC, 10A N.O. 120VAC, 2A N.C.

SPECIFICATIONS



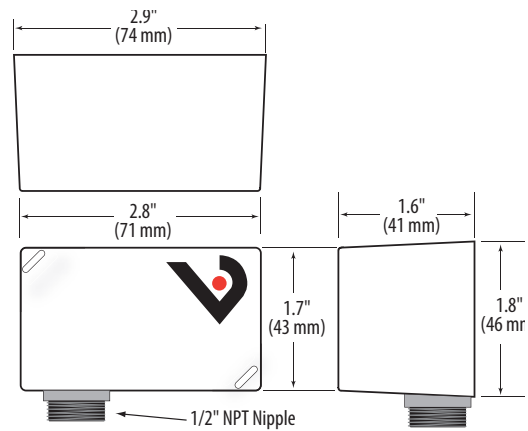
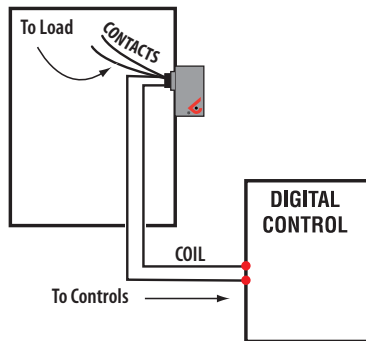
Operating Temperature	-34° to 55°C (-29° to 131°F)
Operating Humidity	10-90% RH non-condensing
Expected Relay Life	Electrical (@ rated current) 100,000 cycles; Mechanical (unpowered) 10,000,000 cycles
Relay Status	LED ON=energized
<i>Wire Specifications:</i>	
Lead Length	14" (356 mm) min.
Gauge	UL1015; Coil: 18 AWG; Contacts: 12 AWG
Insulation Class	600VAC RMS

UL 508 enclosed device listing

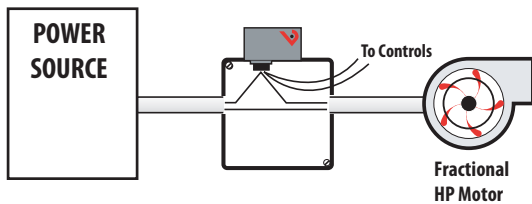
APPLICATION/WIRING EXAMPLES

DIMENSIONAL DRAWING

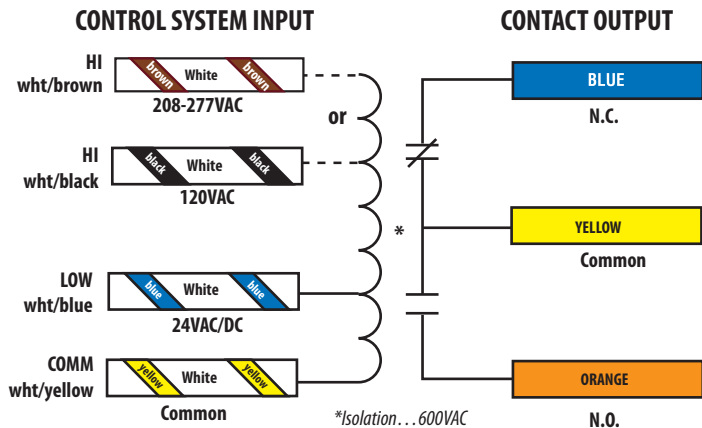
Nipple mount directly to a panel



Nipple mount to 4x electrical box



WIRE COLOR CODES



ORDERING INFORMATION



MODEL	RELAY	COIL	AMPERAGE RATING	RELAY POWER LED	UL
V120	SPDT	24VAC/DC, 120VAC	20A	●	●
V220		24VAC/DC, 208-277VAC		●	●

Some devices are plenum rated per UL 1995...see White Paper VWP01 at veris.com for details