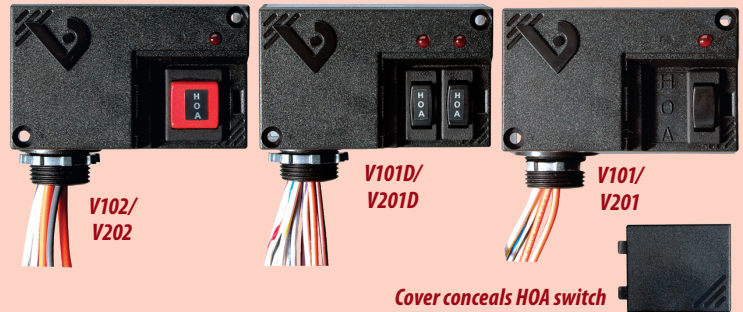


Enclosed Victory Relays: 10A SPST, with HOA Switches

Relays With HOA Switches For Local Control



DESCRIPTION

With a concealed HOA switch for local control and troubleshooting, the **Victory 101, 102, and 103 Series** relays provide HOA flexibility while limiting unauthorized switch manipulation. To further guard against control system override, some relays are equipped with a monitored HOA. The V102/V202 provide a two-wire resistive output and the V103/V203 offer a three-wire digital monitor. Now your customers and technicians can enjoy the benefit of local control without the problems often caused by override.

APPLICATIONS

- Command contactors
- Control motors
- Isolation
- Device interlocking
- Relay logic
- Sense voltages for alarm conditions

FEATURES

- Sleek field enclosure reduces the need for panel space
- The nipple mount feature allows the Victory series to be mounted to any electrical enclosure
- Flexible tinned stranded wire...fits easily in tight spaces and provides secure connections to wire nuts
- UL508 Listed...designed and approved for field installation...makes electrical inspection a snap
- Concealed HOA switch reduces the likelihood of tampering
- Eliminate costly control system override and service calls
- The HOA monitors (available with the V102/V202 & V103/V203 models) allow the control system to notify the building owner when a motor is inadvertently left in ON or OFF position.

TYPICAL COIL PERFORMANCE			
Pull in Voltage	AC	DC	
10-30V.....	8	9	
120V.....	78		
208-277V.....	154		
Drop Out Voltage	AC	DC	
10-30V.....	2	3	
120V.....	18		
208-277V.....	36		
Voltage	Coil Current		
	AC	DC	
10V.....	25mA	14mA	
24V.....	31mA	16mA	
30V.....	39mA	18mA	
120V.....	22mA	-	
208V.....	19mA	-	
277V.....	25mA	-	

CONTACT RATINGS	
V101, V201, V101D*, V201D*	
Resistive.....	10A@250VAC
Motor.....	1/3HP@120VAC
Gold Flash.....	Yes
V102, V103, V202, V203	
Resistive.....	10A@277VAC
Motor.....	1/3HP@120VAC
Gold Flash.....	Yes

*each relay

SPECIFICATIONS

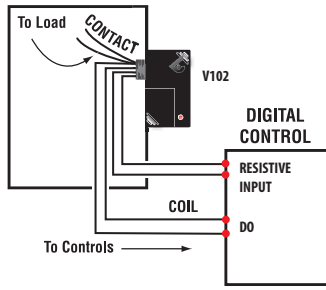


Operating Temperature	-40° to 55°C (-40° to 131°F)
Operating Humidity	10-90% RH non-condensing
Expected Relay Life	Electrical (@ rated current) 100,000 cycles; Mechanical (unpowered) 10,000,000 cycles
Relay Status	LED ON=energized
<i>Wire Specifications:</i>	
Lead Length	14" (356 mm) min.
Gauge	UL1015; Coil: 18 AWG; Contacts: 16 AWG; HOA monitor wires: 16 AWG
Insulation Class	600VAC RMS
<i>V102/V202 Resistive Monitor Maximums:</i>	
Voltage Max.	13.4VAC/DC
Current Max.	4mA AC/DC
<i>V103/203 Digital Monitor Maximums:</i>	
Dry Circuit Contact Rating (Max.)	24VAC/DC@100mA

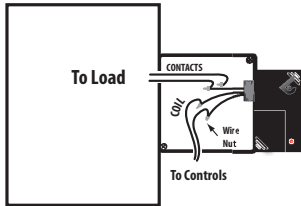
UL 508 enclosed device listing

APPLICATION/WIRING EXAMPLES

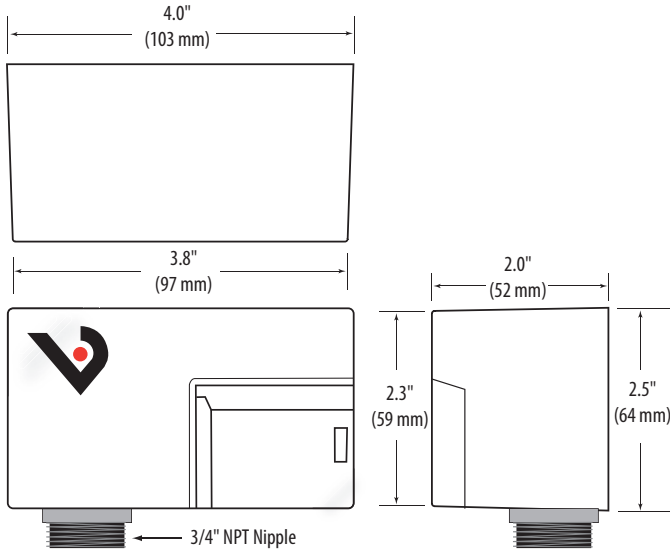
Nipple mount directly to a panel



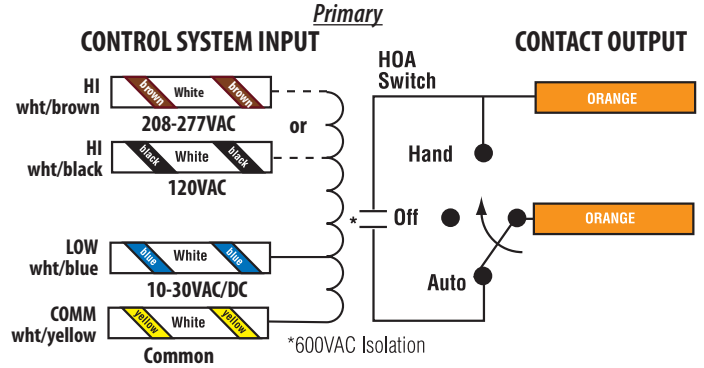
Nipple mount to any 2x or 4x electrical box



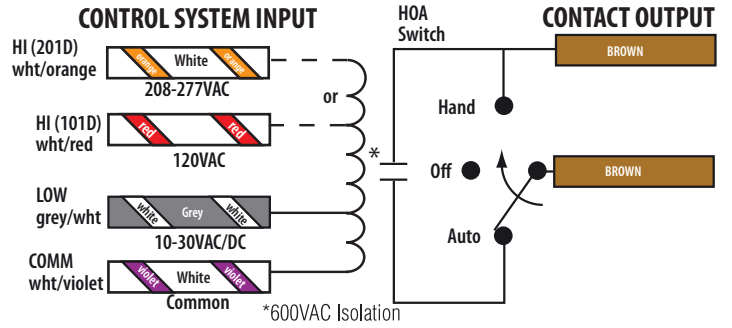
DIMENSIONAL DRAWING



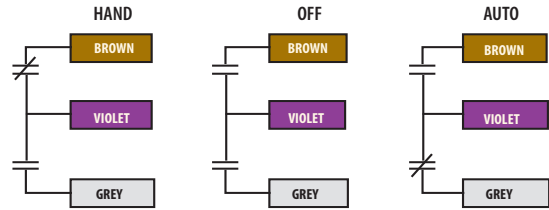
WIRE COLOR CODES



Relay #2 for V101D/V201D only

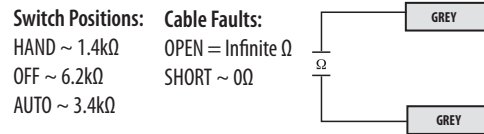


V103/203 Digital HOA Position Monitor



Switch Positions:
 HAND = Brown wire closed to Common
 OFF = Both wires open to Common
 AUTO = Grey wire closed to Common
 VIOLET = Common

V102/202 Resistive HOA Position Monitor



ORDERING INFORMATION



MODEL	RELAY	COIL	AMPERAGE RATING	HOA	HOA MONITOR	RELAY POWER LED	UL
V101	SPST, N.O.	10-30VAC/DC, 120VAC	10A	●	None	●	●
V101D	2x SPST, N.O.	10-30VAC/DC, 120VAC		●	None	●	●
V102	SPST, N.O.	10-30VAC/DC, 120VAC		●	Resistive	●	●
V103	SPST, N.O.	10-30VAC/DC, 120VAC		●	Digital	●	●
V201	SPST, N.O.	10-30VAC/DC, 208-277VAC		●	None	●	●
V201D	2x SPST, N.O.	10-30VAC/DC, 208-277VAC		●	None	●	●
V202	SPST, N.O.	10-30VAC/DC, 208-277VAC		●	Resistive	●	●
V203	SPST, N.O.	10-30VAC/DC, 208-277VAC		●	Digital	●	●

Some devices are plenum rated per UL 1995...see White Paper VWP01 at veris.com for details