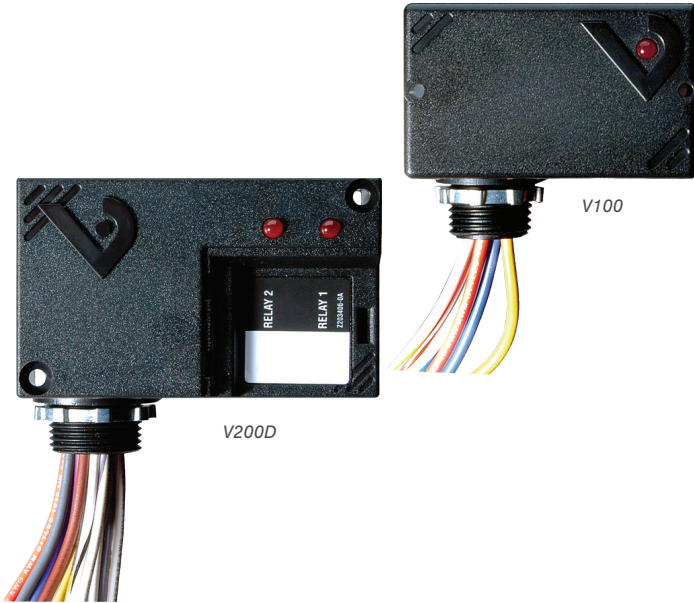




# Victory 100 & 200 Series



## SPECIFICATIONS

Operating Humidity Range	10 to 90% RH non-condensing
Expected Relay Life	Electrical (@ rated current) 100,000 cycles; Mechanical (unpowered) 10,000,000 cycles
Relay Status	LED ON=energized
Insulation Class	600 Vac RMS
Agency Approvals	UL 508
OPERATING TEMPERATURE RANGE	
V100, V100DC, V200	-34 to 60 °C (-29 to 140 °F)
V100D, V200D	-40 to 55 °C (-40 to 131 °F)
WIRE SPECIFICATIONS	
Lead Length	14" (356 mm) min.
Gauge	UL1015; Coil: 18 AWG; Contacts: 16 AWG
WARRANTY	
Limited Warranty	5 years

## GREAT FOR EXTERNAL MOUNT APPLICATIONS

### FEATURES

- Sleek field enclosure reduces the need for panel space
- The nipple mount feature allows the Victory Series to be mounted to any electrical enclosure easing installation
- Flexible tinned stranded wire...fits easily in tight spaces and provides secure connections to wire nuts
- UL508 Listed...designed and approved for field installation...makes electrical inspection a snap
- Run low voltage instead of line voltage...eliminate conduit in some applications

### DESCRIPTION

Victory 100 and 200 Series 10 A enclosed relays are pilot-duty relays in an easy-to-use nipple mount enclosure. The V100/V200 Series provide quick relay mounting without a dedicated field enclosure, making them ideal for retrofit projects. Field-selectable high and low voltage coil inputs provide on-site versatility.

### APPLICATIONS

- Command contactors
- Control motors
- Isolation
- Device interlocking
- Relay logic
- Sense voltages for alarm conditions

### TYPICAL COIL PERFORMANCE

Pull in Voltage	Coil Current	
	AC	DC
10 to 30 V	8	9
120 V	78	
208 to 277 V	154	
Drop Out Voltage		
10 to 30 V	2	3
120 V	18	
208 to 277 V	36	
Voltage	Coil Current	
	AC	DC
10 V	25 mA	14 mA
12 V	25 mA	14 mA
24 V	31 mA	16 mA
30 V	39 mA	18 mA
120 V	22 mA	
208 V	19 mA	
277 V	25A	

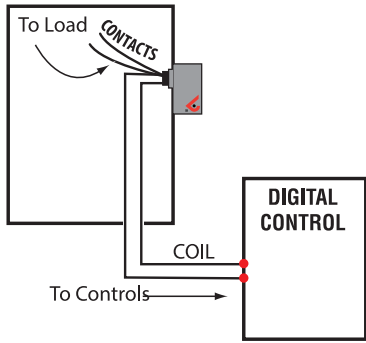
### CONTACT RATINGS

Resistive	10 A @ 277 Vac, 28 Vdc
Motor	120 Vac, 1/3 HP N.O. & 1/6 HP N.C.
	240 Vac, 1/3 HP N.O. & 1/6 HP N.C.
	277 Vac, 1/4 HP N.O. * 1/8 HP N.C.
Pilot Duty	277 Vac (1.7 A), 480 VA N.O.
Ballast	277 Vac, 1.7 A
Tugsten	120 Vac, TV3 N.O. TV2 N.C.
Gold Flash	yes

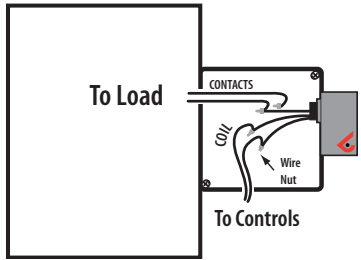


## WIRING DIAGRAMS

Nipple mount directly to a panel

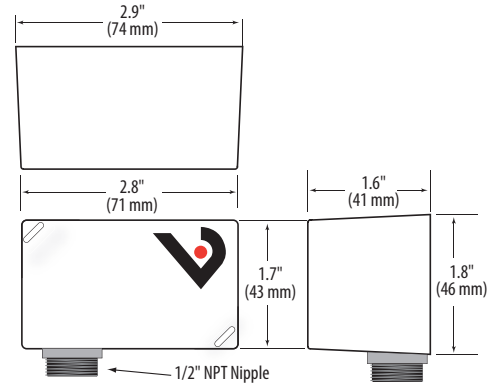


Nipple mount to any 2x or 4x electrical box

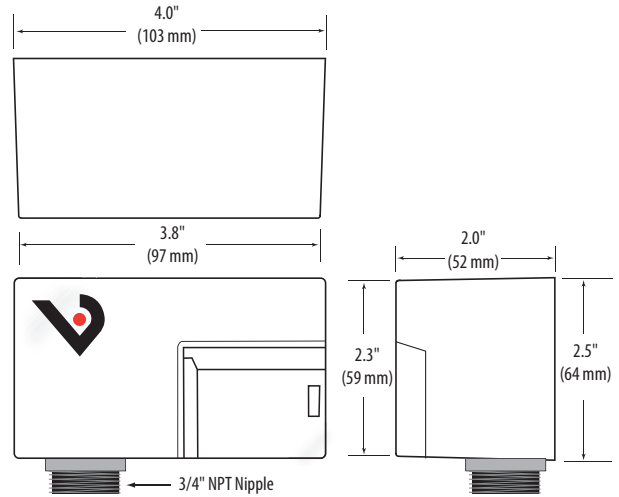


## DIMENSIONAL DRAWINGS

V100/V100DC/V200



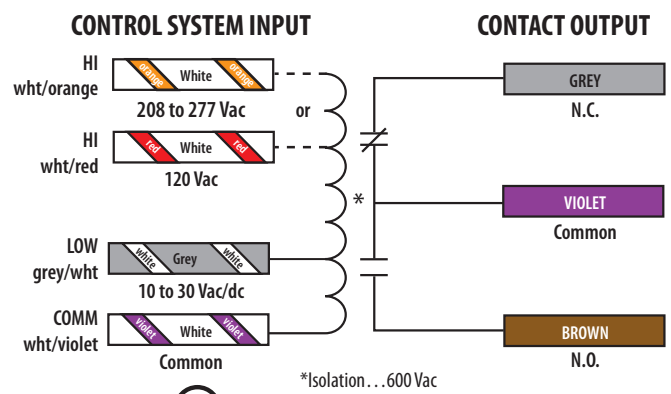
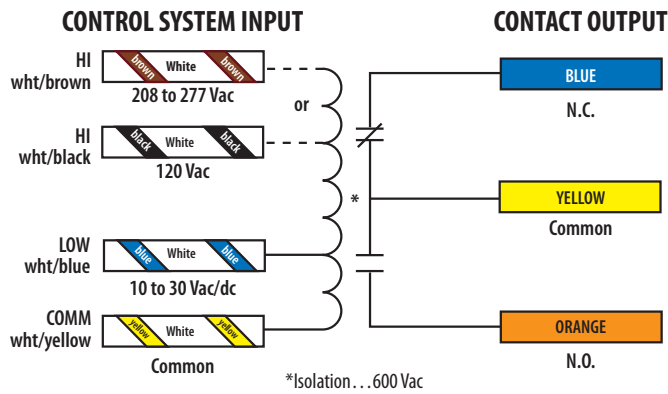
V100D/V200D



Relay 2 on V100D and V200D only

## WIRE COLOR CODES

Primary



## ORDERING INFORMATION

MODEL	RELAY	COIL	AMPERAGE RATING	RELAY POWER LED	UL
V100*	SPDT	10 to 30 Vac/dc, 120 Vac	10 A	●	●
V100D	2x SPDT	10 to 30 Vac/dc, 120 Vac		●	●
V100DC	SPDT	10 to 30 Vdc		●	●
V200	SPDT	10 to 30 Vac/dc, 208 to 277 Vac		●	●
V200D	2x SPDT	10 to 30 Vac/dc, 208 to 277 Vac		●	●

Some devices are Plenum rated per UL 1995...see White Paper VWP01 at veris.com for details.

\*U.S. origin version available.