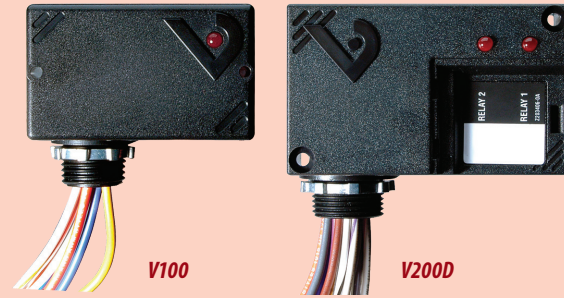


Enclosed Victory Relays: 10A SPDT

Great For External
Mount Applications



DESCRIPTION

Victory 100 and 200 Series 10A enclosed relays are pilot-duty relays in an easy-to-use nipple mount enclosure. The V100/V200 Series provide quick relay mounting without a dedicated field enclosure, making them ideal for retrofit projects. Field-selectable high and low voltage coil inputs provide on-site versatility.

APPLICATIONS

- Command contactors
- Control motors
- Isolation
- Device interlocking
- Relay logic
- Sense voltages for alarm conditions

FEATURES

- Sleek field enclosure reduces the need for panel space
- The nipple mount feature allows the Victory Series to be mounted to any electrical enclosure
- Flexible tinned stranded wire...fits easily in tight spaces & provides secure connections to wire nuts
- UL508 Listed...designed and approved for field installation...makes electrical inspection a snap
- Run low voltage instead of line voltage...eliminate conduit in some applications

TYPICAL COIL PERFORMANCE

Pull in Voltage	AC		DC
	10-30V.....	8	9
120V.....	78		
208-277V.....	154		
Drop Out Voltage	AC		DC
	10-30V.....	2	3
120V.....	18		
208-277V.....	36		
Voltage	Coil Current		
	AC	DC	
10V.....	25mA	14mA	
12V.....	25mA	14mA	
24V.....	31mA	16mA	
30V.....	39mA	18mA	
120V.....	22mA	-	
208V.....	19mA		
277V.....	25mA		

CONTACT RATINGS

Resistive.....	10A@277VAC, 28VDC
Motor.....	120VAC, 1/3HP N.O. & 1/6HP N.C. 240VAC, 1/3HP N.O. & 1/6HP N.C. 277VAC, 1/4HP N.O. & 1/8HP N.C.
Pilot Duty.....	277VAC, (1.7A), 480VA N.O.
Ballast.....	277VAC, 1.7A
Tungsten.....	120VAC, TV3 N.O. TV2 N.C.
Gold Flash.....	Yes

SPECIFICATIONS



Operating Temperature:

V100, V100DC, V200

-34° to 60°C (-29° to 140°F)

V100D, V200D

-40° to 55°C (-40° to 131°F)

Operating Humidity

10-90% RH non-condensing

Expected Relay Life

Electrical (@ rated current) 100,000 cycles; Mechanical (unpowered) 10,000,000 cycles

Relay Status

LED ON=energized

Wire Specifications:

Lead Length

14" (356 mm) min.

Gauge

UL1015; Coil: 18 AWG; Contacts: 16 AWG

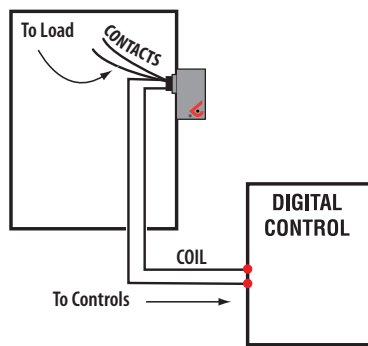
Insulation Class

600VAC RMS

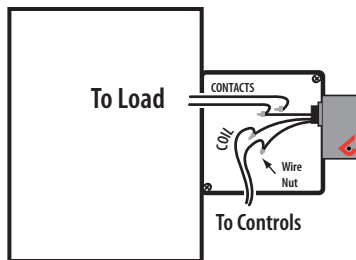
UL 508 enclosed device listing

APPLICATION/WIRING EXAMPLES

Nipple mount directly to a panel

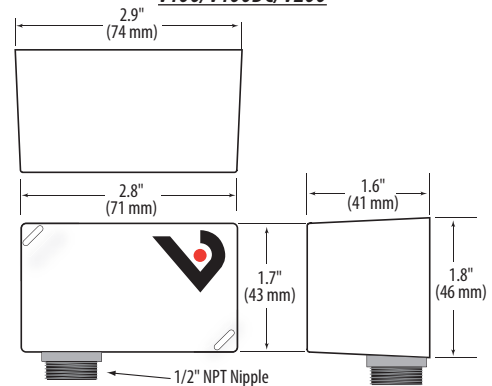


Nipple mount to any 2x or 4x electrical box

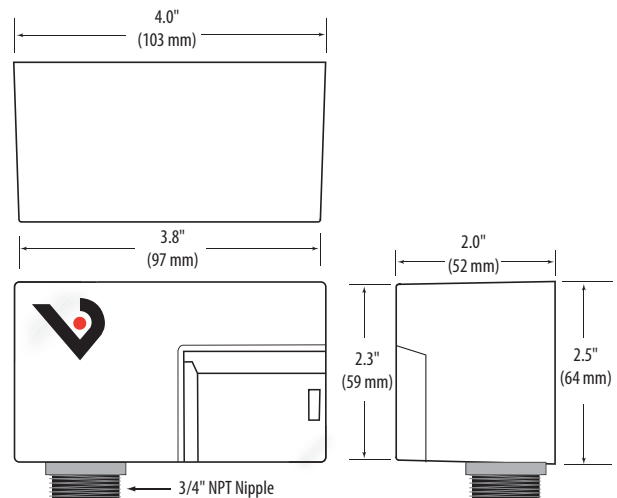


DIMENSIONAL DRAWINGS

V100/V100DC/V200

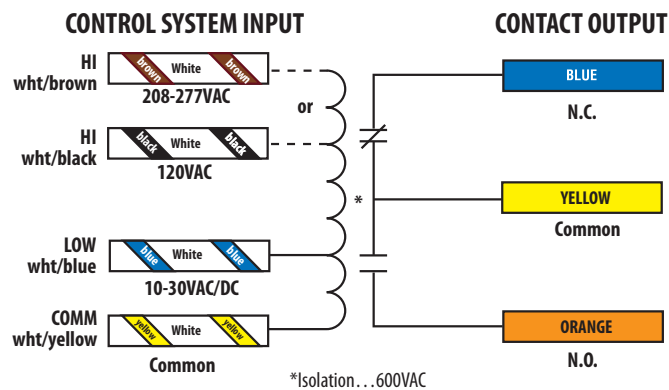


V100D/V200D

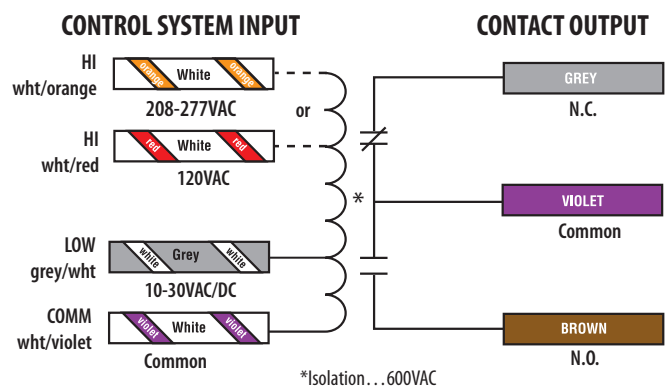


WIRE COLOR CODES

Primary



Relay 2 on V100D and V200D only



ORDERING INFORMATION



MODEL	RELAY	COIL	AMPERAGE RATING	RELAY POWER LED	UL
V100*	SPDT	10-30VAC/DC, 120VAC	10A	●	●
V100D	2x SPDT	10-30VAC/DC, 120VAC		●	●
V100DC	SPDT	10-30VDC		●	●
V200	SPDT	10-30VAC/DC, 208-277VAC		●	●
V200D	2x SPDT	10-30VAC/DC, 208-277VAC		●	●

Some devices are Plenum rated per UL 1995...see White Paper VWPO1 at veris.com for details.

* Optional domestic version available.