

U013-0012, U013-0013 & U013-0015

Easy Translation of Protocols to Integrate into a Network



U013-0012 Modbus Gateway provides access to all Veris Modbus RTU products over a network using Modbus TCP protocol.

U013-0013 and U013-0015 BACnet routers provide access to all Veris BACnet MS/TP products over a network using BACnet IP protocol. The U013-0015 (LX model) offers a faster operation speed and supports more BBMD entries.

Integral web browsers enable quick and simple setup of network configuration and serial communication parameters. All three products provide easy translation of serial protocols to the corresponding network protocol without requiring any device-specific translation.

SPECIFICATIONS

U013-0012

DOWNSTREAM (DEVICE) INTERFACES

Physical Layer	2-wire or 4-wire RS-485
Protocol	Modbus RTU
Baud Rate	50 to 921,600

UPSTREAM (CONTROLLER) ETHERNET INTERFACE

Physical Layer	10/100 Mb Ethernet, Fixed IP or DHCP
Protocol	Modbus TCP

INPUT POWER REQUIREMENTS

Supply Voltage	12 to 48 Vdc
Nominal Current	400 mA@12 Vdc, 130 mA@48 Vdc

ENVIRONMENTAL

Storage Temperature	-40 to 85 °C (-40 to 185 °F)
Operating Temperature	0 to 55 °C (32 to 131 °F)
Relative Humidity	5 to 95% RH noncondensing; indoor use only

WARRANTY

Limited Warranty	5 years
------------------	---------

AGENCY APPROVALS

Agency Approvals	UL; CE; FCC Part 15 Class A; RoHS
------------------	-----------------------------------

Easy setup

Requires no product-specific configuration

DIN rail mount

Easy installation

Connect multiple devices

Connect multiple devices to one network drop

Wireshark®

U013-0015 MS/TP slave devices are discoverable via automatic slave discovery and built-in MS/TP traffic capture using Wireshark with web page display*

APPLICATIONS

- Energy management systems
- Data center management
- Building automation systems

SPECIFICATIONS

U013-0013 & U013-0015

DOWNSTREAM (DEVICE) INTERFACES

Physical Layer	2-wire RS-485
Protocol	BACnet MS/TP
Baud Rate	U013-0013: 9600 to 78,600 U013-0015: 9600 to 115,200

UPSTREAM (CONTROLLER) ETHERNET INTERFACE

Physical Layer	10/100 Mb Ethernet, Fixed IP
Protocol	BACnet IP
BBMD Support	U013-0013: 5 entries U013-0015: 50 entries

INPUT POWER REQUIREMENTS

Supply Voltage	U013-0013: 24 Vdc±10%, 2 W; or 24 Vac ±10%, 4 VA, 50/60 Hz U013-0015: 24 Vdc±10%, 6 W; or 24 Vac ±10%, 10 VA, 50/60 Hz
Frequency	47 to 63 Hz

ENVIRONMENTAL

Storage Temperature	-40 to 85 °C (-40 to 185 °F)
Operating Temperature	0 to 60 °C (32 to 140 °F)
Relative Humidity	10 to 95% RH non-condensing

WARRANTY

Limited Warranty	2 years
------------------	---------

AGENCY APPROVALS

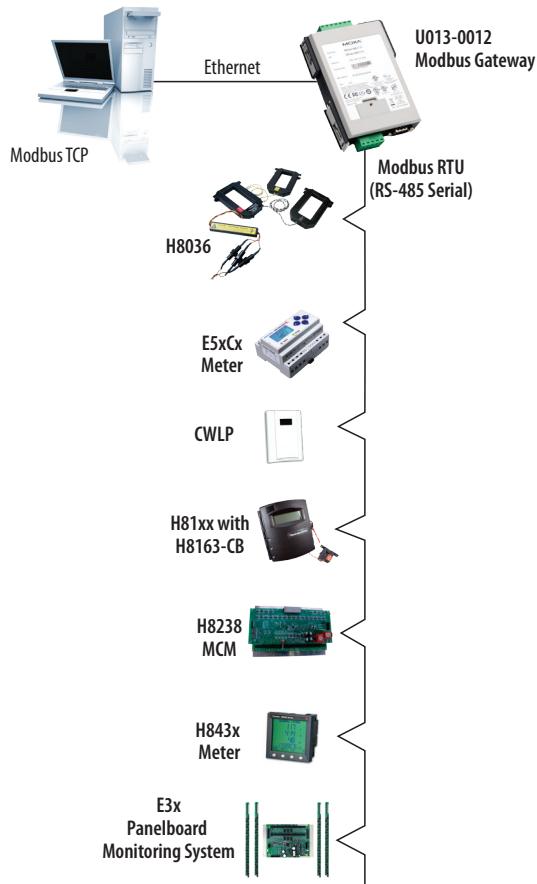
Agency Approvals	CE; FCC Part 15 Class A; RoHS
------------------	-------------------------------

*Wireshark is an open source packet analyzer for network traffic available from www.wireshark.org. Wireshark is a registered trademark of the Wireshark Foundation.



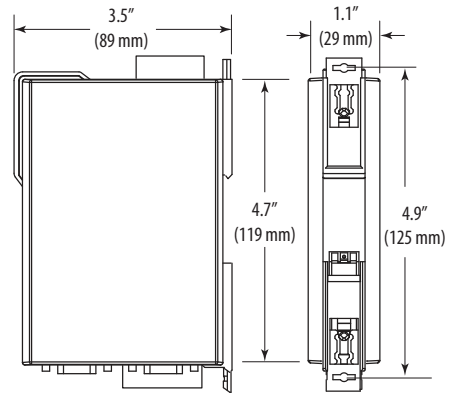
U013-0012

Application Example



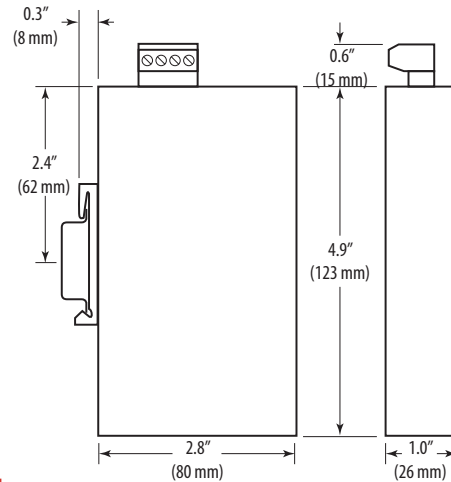
U013-0012

Dimensional Drawing



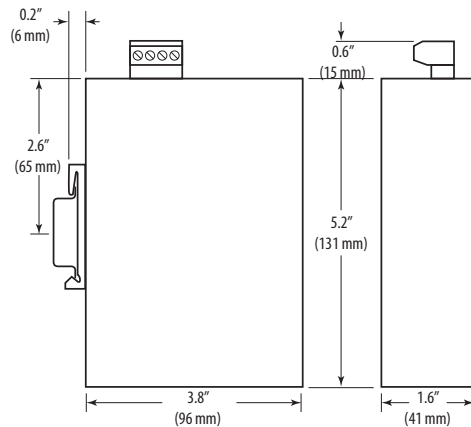
U013-0013

Dimensional Drawing



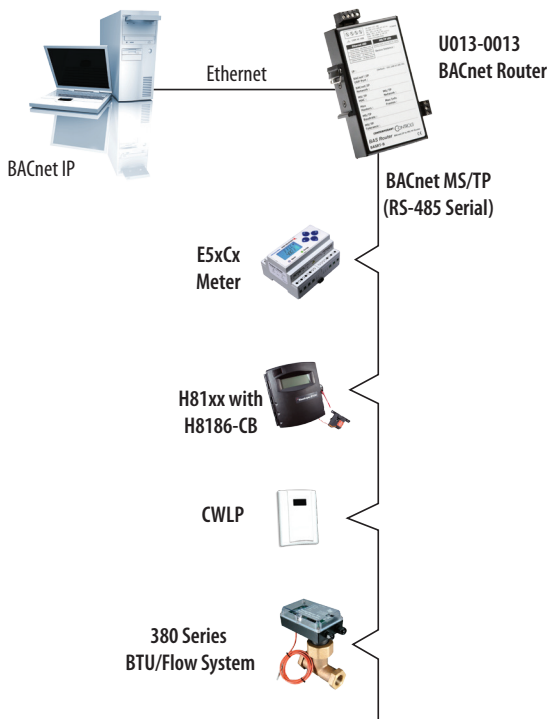
U013-0015

Dimensional Drawing



U013-0013/U013-0015

Application Example



ORDERING INFORMATION

MODEL	DESCRIPTION
U013-0012	Modbus Gateway (RTU to TCP)
U013-0013	BACnet Router (MS/TP to IP)
U013-0015	BACnet Router (MS/TP to IP)-LX Model

