

Current Transducers, Voltage Output



SCT

Low Current Ranges

DESCRIPTION

SCT AC current sensors have center hole sizes and current ratings to suit any application. SCT models have a split-core that is perfect for retrofits. Output is fixed at the industry standard of 0.333VAC.

APPLICATIONS

- Data logging
- Recording
- Power monitoring
- Energy management
- Alternative energy monitoring
- Cost allocation

FEATURES

- High accuracy: $\pm 1\%$ from 10% to 130% of rated current
- 0.333VAC standard output...compatible with existing systems
- Interleaving joints for reliability with a self-locking mechanism and no exposed metal...safe design
- UL recognized

SPECIFICATIONS



| | |
|------------------------------------|--|
| <i>Inputs:</i> | |
| Frequency Range | 50-400 Hz |
| Leads | 8 ft (204 m) |
| <i>Accuracy:</i> | |
| Accuracy | $\pm 1\%$ of reading from 10% to 130% of rated current |
| <i>Outputs:</i> | |
| Output at Rated Current | 0.333VAC |
| <i>Mechanical:</i> | |
| Insulation | 600VAC |
| <i>Environmental:</i> | |
| Operating Temperature Range | -10° to 55°C (14° to 131°F) |
| Storage Temperature Range | -40° to 70°C (-40° to 158°F) |

cURus, CE, RoHS

800.354.8556

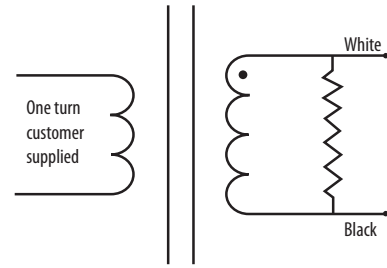
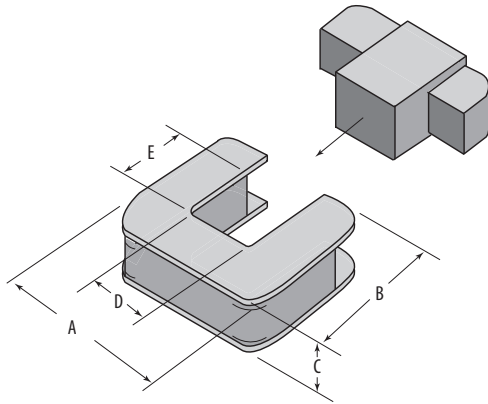
+1 503.598.4564

www.veris.com

HQ0001819.A 01121

DIMENSIONAL DRAWINGS

APPLICATION/WIRING EXAMPLE



| Model | A | B | C | D | E |
|--------------|---------------|---------------|---------------|---------------|---------------|
| SCT-0750-xxx | 2.0" (51 mm) | 2.1" (54 mm) | 0.61" (16 mm) | 0.75" (20 mm) | 0.75" (20 mm) |
| SCT-1250-xxx | 3.25" (83 mm) | 3.35" (86 mm) | 1.0" (26 mm) | 1.25" (32 mm) | 1.25" (32 mm) |

ORDERING INFORMATION



Split-Core

| MODEL | MANUF. PART NUMBER | RATING (A) | DESCRIPTION |
|-----------|--------------------|------------|---|
| U004-0030 | SCT-0750-005 | 5 | CT, SplitCore, 5A:0.333VAC, 0.750" ID |
| U004-0031 | SCT-0750-010 | 10 | CT, SplitCore, 10A:0.333VAC, 0.750" ID |
| U004-0032 | SCT-0750-030 | 30 | CT, SplitCore, 30A:0.333VAC, 0.750" ID |
| U004-0033 | SCT-0750-050 | 50 | CT, SplitCore, 50A:0.333VAC, 0.750" ID |
| U004-0034 | SCT-0750-070 | 70 | CT, SplitCore, 70A:0.333VAC, 0.750" ID |
| U004-0035 | SCT-0750-100 | 100 | CT, SplitCore, 100A:0.333VAC, 0.750" ID |
| U004-0036 | SCT-0750-150 | 150 | CT, SplitCore, 150A:0.333VAC, 0.750" ID |
| U004-0037 | SCT-0750-200 | 200 | CT, SplitCore, 200A:0.333VAC, 0.750" ID |
| U004-0038 | SCT-1250-050 | 50 | CT, SplitCore, 50A:0.333VAC, 1.250" ID |
| U004-0039 | SCT-1250-070 | 70 | CT, SplitCore, 70A:0.333VAC, 1.250" ID |
| U004-0040 | SCT-1250-100 | 100 | CT, SplitCore, 100A:0.333VAC, 1.250" ID |
| U004-0041 | SCT-1250-150 | 150 | CT, SplitCore, 150A:0.333VAC, 1.250" ID |
| U004-0042 | SCT-1250-200 | 200 | CT, SplitCore, 200A:0.333VAC, 1.250" ID |
| U004-0043 | SCT-1250-250 | 250 | CT, SplitCore, 250A:0.333VAC, 1.250" ID |
| U004-0044 | SCT-1250-300 | 300 | CT, SplitCore, 300A:0.333VAC, 1.250" ID |
| U004-0045 | SCT-1250-400 | 400 | CT, SplitCore, 400A:0.333VAC, 1.250" ID |
| U004-0046 | SCT-1250-600 | 600 | CT, SplitCore, 600A:0.333VAC, 1.250" ID |