

Current Switches with Relay: Adjustable Trip Point, High Voltage Output



Status And Control In One Package

DESCRIPTION

Hawkeye Relay Combination Series high voltage output current switches are the ideal solution for the automation installer. These units combine a current switch and relay into a single package, reducing the space required for total control of fans and pumps. The integrated current switch and relay operate independently of one another. All relay connections are externally available for maximum flexibility.

These products perform the functions of start/stop and status monitoring with one device instead of two.

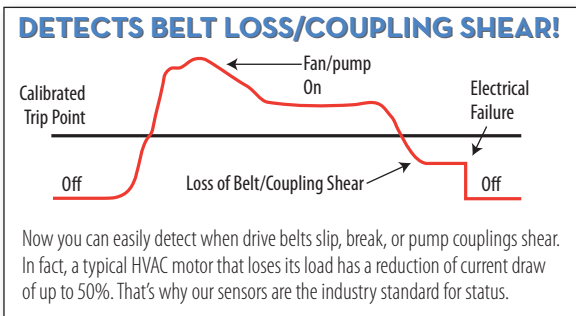
APPLICATIONS

- Starting/stopping and monitoring positive status of motors
- Detecting belt loss and coupling shear

FEATURES

- Combines command relay & fan/pump status sensor in a single, easy to install unit
- Reduces number of components installed...fits better in small starter enclosures
- Command relay and status in a single unit
- Easier to install than differential pressure switches...no additional wiring needed
- Detect belt loss and motor failure...ideal for fan and pump status
- Bracket on H939, H949, and H959 can be installed in three different configurations...added flexibility
- H749 and H949 feature SPDT command relay...saves installation time
- Reduced charges from electrician
- Relay and status LEDs for easy setup
- Polarity insensitive status output...fast trouble-free installation
- Adjustable trip point for current sensor status...fits many applications
- 5-year warranty

CURRENT MONITORING



SPECIFICATIONS

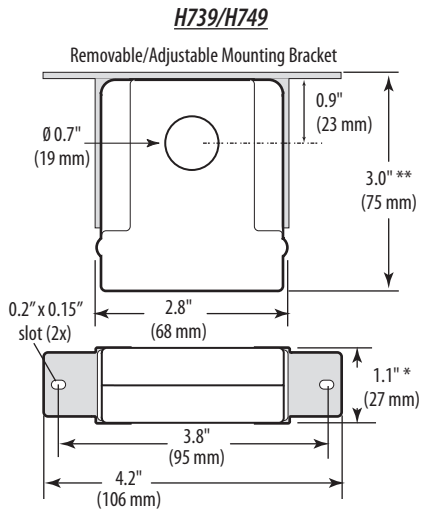


Sensor Power	Induced from monitored conductor
Insulation Class	600VAC RMS
Frequency Range	50/60 Hz
Temperature Range	-15° to 60°C (5° to 140°F)
Humidity Range	10-90% RH non-condensing
Hysteresis	10% Typical
Terminal Block Maximum Wire Size	14 AWG
Terminal Block Torque (nominal)	4 in-lbs (0.45 N-m)

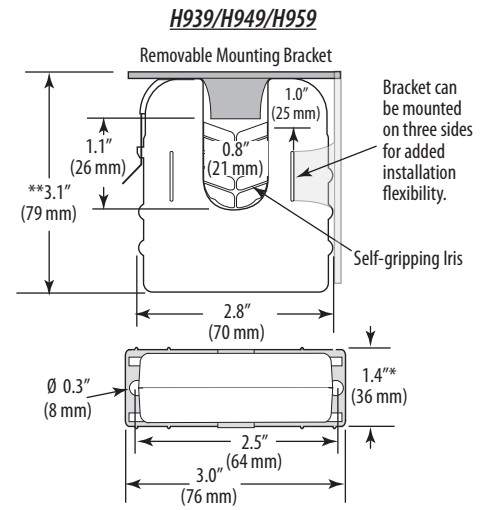
UL 508 open device listing
Do not use the LED status indicators as evidence of applied voltage.

RELAY CONTACT RATINGS		
Hx39, Hx59 (SPST, N.O.)		
Resistive.....	10A@250VAC, 30VDC	
Inductive.....	5A@250VAC, 30VDC	
Hx49 (SPDT)		
Resistive.....	8A@250VAC, 30VDC	
Inductive.....	3.5A@250VAC, 30VDC	
TYPICAL COIL PERFORMANCE		
Voltage	AC	DC
24V.....	10mA	10mA
12V.....		20mA
Pull In Voltage		
Hx39		20.1VDC
Hx49		20.1VDC
Hx59		8.4VDC
Drop Out Voltage		
Hx39		5.2VDC
Hx49		5.2VDC
Hx59		3.0VDC

DIMENSIONAL DRAWINGS

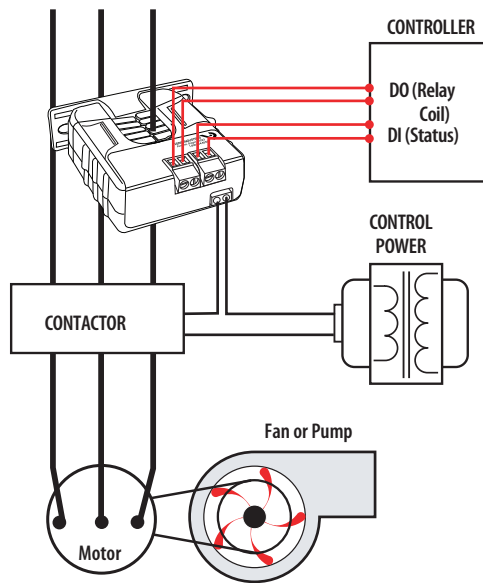


* Terminal block may extend up to 1/8" over the height dimensions shown.

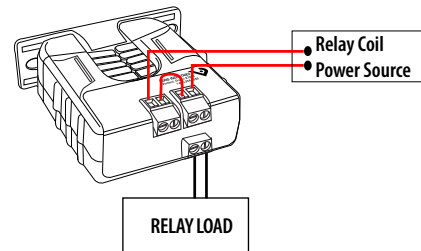


APPLICATION/WIRING DIAGRAMS

Start/Stop Monitoring of Fan / Pump Motors



Relay Controlled Directly by Status Contacts



ORDERING INFORMATION



MODEL	AMPERAGE RANGE	STATUS OUTPUT (max.)	MIN. TRIP POINT	RELAY TYPE	RELAY COIL	HOUSING	STATUS LED	RELAY POWER LED	UL
H739	1 - 135A	N.O. 0.2A@120VAC/DC	1A or less	SPST, N.O.	24VAC/DC	Solid-core	●	●	●
H749	1 - 135A		1A or less	SPDT	24VAC/DC	Solid-core	●	●	●
H939	2.5 - 135A		2.5A or less	SPST, N.O.	24VAC/DC	Split-core	●	●	●
H949	2.5 - 135A		2.5A or less	SPDT	24VAC/DC	Split-core	●	●	●
H959	2.5 - 135A		2.5A or less	SPST, N.O.	12VDC nom.	Split-core	●	●	●

ACCESSORIES

DIN Rail Clip Set (AH01, AH27)
DIN Rail (AV01) and DIN Stop Clip (AV02)

