

# HWXW Series



## SPECIFICATIONS

INPUTS	
Input Voltage	Two 1.5 V AA lithium/iron disulfide batteries (3000 mAh min.)
Setup	Pushbutton setup
OUTPUTS	
Wireless	802.11 B/G 2.4 GHz radio
Battery Indicator	Indicates low battery power (read by Gateway or JACE)
Temperature Output Range	Configurable in software: 0 to 50 °C (32 to 122 °F) or 10 to 35 °C (50 to 95 °F)
ACCURACY	
Temperature	±0.75 °C (typical)
Humidity	±2% of full scale @ 25 °C
OPERATING ENVIRONMENT	
Operating Temp Range	0 to 50 °C (32 to 122 °F)
Operating Humidity Range	0 to 95% RH non-condensing
Storage Temperature Range	-40 C to 50 °C (-40 to 122 °F)
COMPLIANCE INFORMATION	
Agency Approvals	CE 1; EN61010-1; ETL Listed to UL 60950-1
WARRANTY	
Limited Warranty	5 years <sup>2</sup>

1. The CE mark indicates RoHS2 compliance. Please refer to the CE Declaration of Conformity for additional details.

2. Five-year warranty is for the device only. The battery may need replacement at intervals shorter than five years, depending on how the device is configured.

## COLLECTS ENVIRONMENTAL DATA AND TRANSMITS OVER WI-FI NETWORK

### DESCRIPTION

Aerospond HWXW Series wall mount environmental sensors offer a new method for monitoring and controlling indoor air quality. These sensors monitor interior humidity and optional temperature conditions and transmit this information over the building's existing wireless network to a wireless gateway device, which communicates with the building control system, or to a JACE controller for direct integration.

### APPLICATIONS

- Controlling HVAC systems for improved comfort and energy savings
- Museums, schools, printing shops, hospitals, data centers, and other locations that require temperature and humidity control
- Facilitating compliance with ASHRAE standards for environmental control and indoor air quality

### FEATURES

- Choose to monitor humidity only or temperature and humidity in one device...application flexibility
- Wall mount...easy installation in a low-profile housing
- Battery model is simple to power...AA battery power with up to five year life (with transmission interval set at 5 minutes)
- Direct integration to a Veris U027-001 wireless gateway or JACE controller
- No wiring required (battery model)...reduced labor and cost
- Fast installation...reduced downtime for deployment



## APPLICATIONS

Option 1: Integration to Building Control Using a Network Wireless Gateway

HWXW

Generic/Corporate WI-FI Router enables device communication

U027-0001 (Network Wireless Gateway)

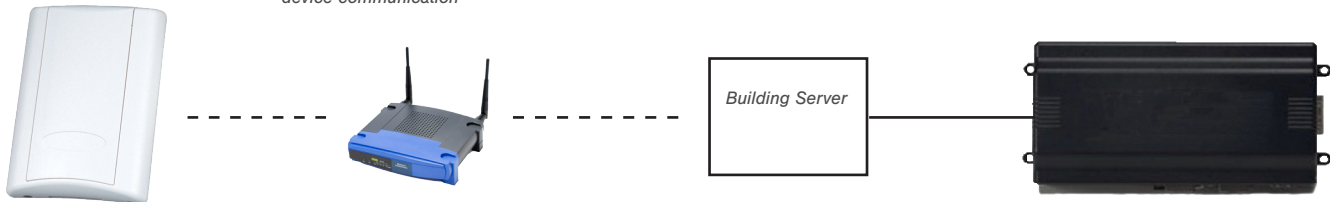


Option 2: Direct Integration Using a JACE Controller

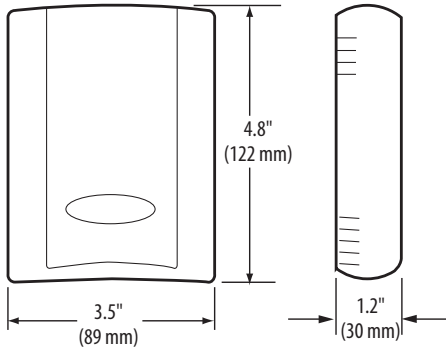
HWXW

Generic/Corporate WI-FI Router enables device communication

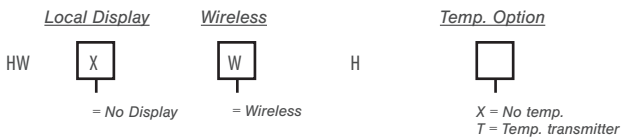
JACE Controller



## DIMENSIONAL DRAWING



## ORDERING INFORMATION



\*The CE mark indicates RoHS2 compliance. Please refer to the CE Declaration of Conformity for additional details.

## ACCESSORIES

- Programming Cable (AWB01)
- Network Wireless Gateway (U027-0001)
- JACE Driver (AWB04, available for free download from the Veris website)



AWB01



U027-0001