

Current Sensors with Relay: 0-5VDC Analog Output



Load Trending And Control Relay In One Package

DESCRIPTION

The Hawkeye 932 and H952 Series provide accurate load trending information with a proportional 0-5VDC output signal. This feature combined with an integrated command relay makes these products ideal for start/stop and status monitoring of motors.

The relay is fully isolated from the current sensor, and all relay connections are externally available for maximum flexibility.

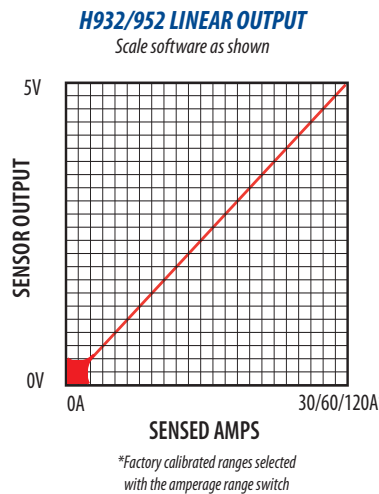
APPLICATIONS

- Load trending
- Motor control
- Fan/Pump status

FEATURES

- Self-powered analog current sensor with integral start/stop command relay
- Reduces the number of installed components... saves time and space
- Self-gripping split-core for fast retrofit installation...no need to remove conductor
- One device to install for start/stop and status...reduces installation charges
- No external power required for current sensor
- Selectable factory calibrated ranges up to 120A for increased flexibility and resolution
- Factory calibrated switch-selectable ranges (30/60/120A) for high resolution and installation ease
- No jumpers on unit...reduces installation error
- Removable mounting bracket for installation flexibility
- Bracket can be installed in three different configurations...added flexibility
- Command relay switches up to 5A@250VAC
- 5-year warranty

CURRENT MONITORING



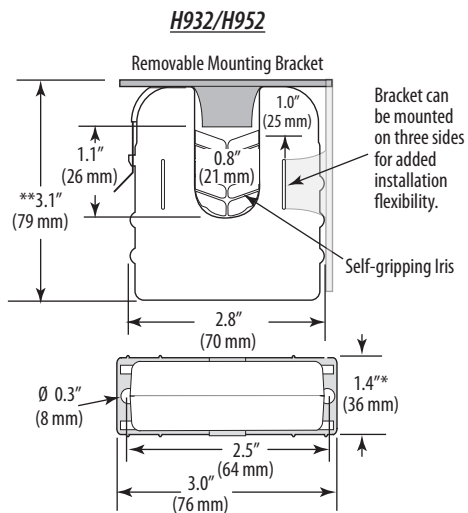
SPECIFICATIONS



Sensor Power	Induced from monitored conductor
Insulation Class	600VAC RMS
Frequency Range	50/60 Hz nominal
Temperature Range	-15° to 60°C (5° to 140°F)
Humidity Range	10-90% RH non-condensing
Accuracy	±2% F.S. from 10% to 100% (selected range)
Response Time	2 sec.
Terminal Block Maximum Wire Size	14 AWG
Terminal Block Torque (nominal)	4 in-lbs (0.45 N-m)

UL 508 open device listing

DIMENSIONAL DRAWING



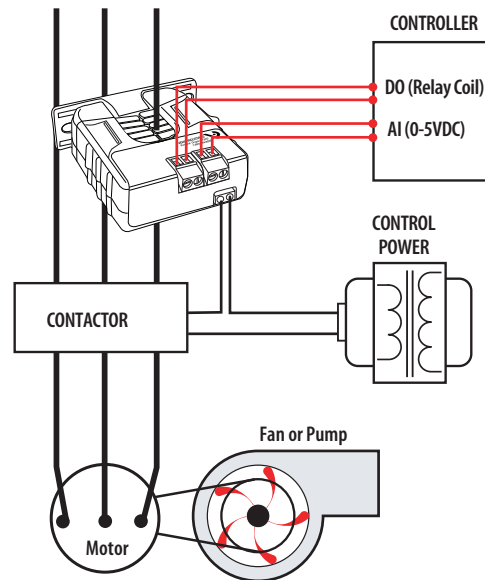
* Terminal block may extend up to 1/8" over the height dimensions shown.
 ** Slide switch may extend up to 1/4" over the height dimensions shown

RELAY CONTACT RATINGS (N.O.)	
Resistive.....	5A@250VAC 5A@30VDC
Inductive.....	2A@250VAC 2A@30VDC

TYPICAL COIL PERFORMANCE		
Voltage	AC	DC
24	15mA	15mA
12		20mA
Pull In Voltage (H952 only)		
12VDC		8.4VDC
Drop Out Voltage (H952 only)		
12VDC		3.0VDC

APPLICATION/WIRING DIAGRAM

Trending & Controlling Motor Loads with the Hawkeye 932



ORDERING INFORMATION



MODEL	AMPERAGE RANGE	SENSOR OUTPUT	RELAY TYPE	RELAY COIL	HOUSING	UL
H932	0 - 30/60/120A	0 - 5VDC	SPST, N.O.	24VAC/DC	Split-core	●
H952				12VDC		●

ACCESSORIES

DIN Rail Clip Set (AH01, AH27)
 DIN Rail (AV01) and DIN Stop Clip (AV02)

