

Field Mount Motor Control Device

H40 Series



H40

SPECIFICATIONS



Sensor Power	Induced
Operating Temperature Range	-15°C to 50°C (5° to 122°F)
Operating Humidity Range	0-95% RH non-condensing
Frequency Range	50-60 Hz
Agency Approvals	UL 508 closed type device listing, CAT III, pollution degree 2, basic insulation
Wire to Relay Contacts	Use 12 AWG (3.3 mm ²)
Low Voltage Terminal Block Wire Size	24-14 AWG (0.2 to 2.1 mm ²)
Low Voltage Terminal Block Torque	3.5 to 4.4 in-lbs (0.4 to 0.5 N-m)
RELAY	
Relay Contact Ratings	16A@120/250VAC, 12A@277VAC, 1HP@120VAC, 8A@28VDC
	<i>H40NE8A</i>
	16A@120/277VAC, 1HP@ 120VAC, 2HP@277VAC, 16A@28VDC
	<i>H40ME8X</i>
Relay Coil Ratings	24VDC 45mA nom.; 24VAC 78mA nom.; Class 2*

* In addition, coil input from other sources may be used as detailed in NEC 2008, Article 725.121.

Do not use the LED status indicators as evidence of applied voltage.

Line and Low Voltage Separated Fractional Motor Status with Command Relay

FEATURES

- Separate high and low voltage sections...fast and economical commissioning by low voltage electricians
- Combines status sensor, command relay, and HOA switch in a single series circuit...one line connection for three devices
- Remote mounted enclosure removes the need to cram multiple devices into a junction box
- HOA provides true relay control...ideal for troubleshooting control wiring (H40NE8A only)
- SPST relay is field-selectable for N.O. or N.C. operation (some models)
- 5-year warranty

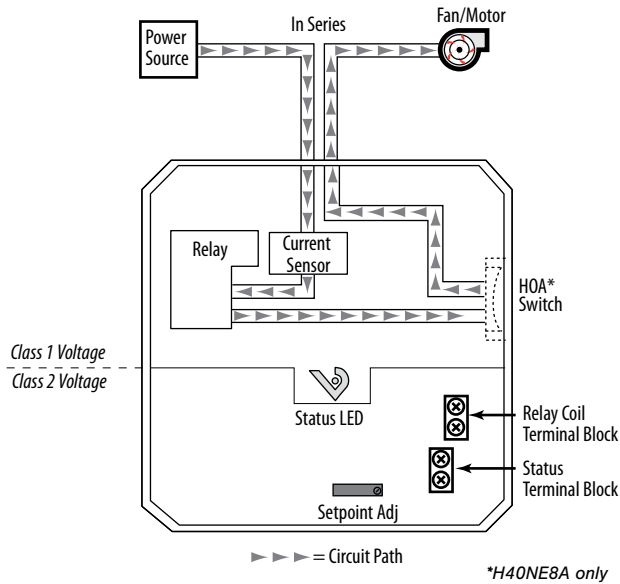
DESCRIPTION

The **Hawkeye 40 Series** combines a switching relay, a current status sensor, and a Hand-Off-Auto (HOA, H40NE8A only) switch into a single nipple-mounted housing. The low voltage and line voltage wires are functionally separated from each other. A hinged lid on the low voltage side allows easy relay connection and trip point adjustment, while the high voltage side is closed for added safety. The H40 connects in series between the power source and the motor, and the relay and HOA switch control the on/off functioning of the motor.

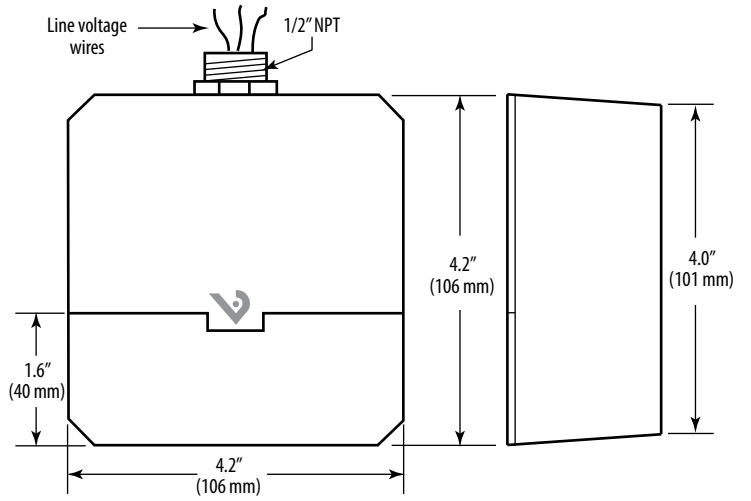
APPLICATIONS

- Monitoring status and controlling small motor loads that are not driven by a motor starter or contactor
 - Exhaust fans
 - Unit ventilators
 - Fan terminal units
 - Fan coil units
 - Recirculating pumps

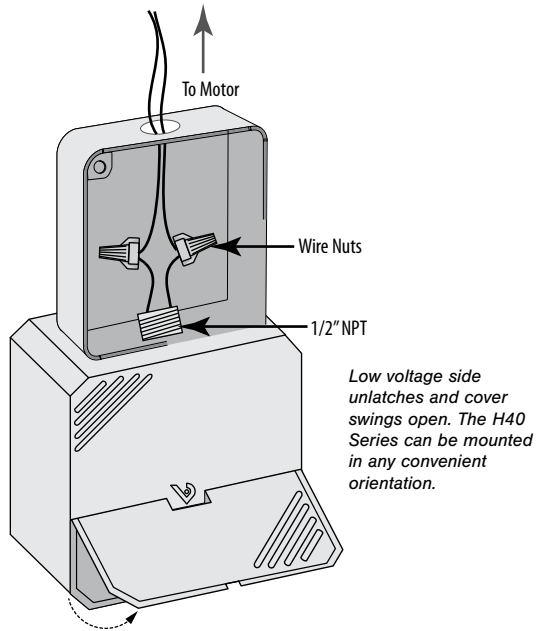
WIRING DIAGRAM



DIMENSIONAL DRAWING



MOUNTING OPTIONS



ORDERING INFORMATION



MODEL	AMPERAGE RANGE	STATUS OUTPUT	TRIP POINT	RELAY	RELAY COIL	HOA SWITCH	UL	RoHS
H40NE8A	0.25 - 16A	N.O. 1.0A@30VAC/DC	Adjustable	SPST, N.O	24VDC 45mA nom. 24VAC 78mA nom.	●	●	●
H40ME8X	0.25 - 16A	N.O. 1.0A@30VAC/DC	Adjustable	SPST, N.O. or N.C.	24VDC 45mA nom. 24VAC 78mA nom.		●	●