

# Field Mount Motor Control Device

Line and Low Voltage Separated Fractional Motor Status with Command Relay



**Hawkeye™**

H40

## DESCRIPTION

The **Hawkeye 40 Series** combines a switching relay, a current status sensor, and a Hand-Off-Auto (HOA) switch into a single nipple-mounted housing. The low voltage and line voltage wires are functionally separated from each other. A hinged lid on the low voltage side allows easy relay connection and trip point adjustment, while the high voltage side is closed for added safety. The H40 is connected in series between the power source and the motor, and the relay and HOA switch control the on/off functioning of the motor.

## APPLICATIONS

- Monitoring status and controlling small motor loads that are not driven by a motor starter or contactor
  - Exhaust fans
  - Unit ventilators
  - Fan terminal units
  - Fan coil units
  - Recirculating pumps

## FEATURES

- Separate high and low voltage sections...fast and economical installation by low voltage electricians
- Combines status sensor, command relay, and HOA switch in a single series circuit...one line connection for three devices
- Remote mounted enclosure eliminates the need to cram multiple devices into a junction box
- HOA provides true relay control...ideal for troubleshooting control wiring
- SPST relay is field-selectable for N.O. or N.C. operation (some models)
- 5-year warranty

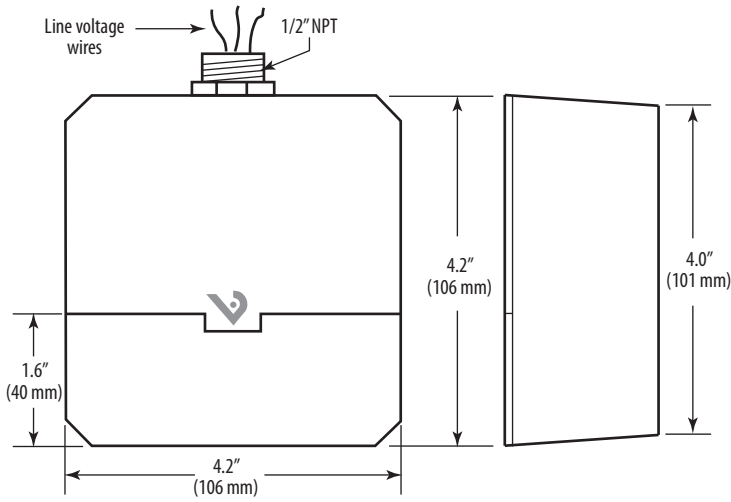
## SPECIFICATIONS



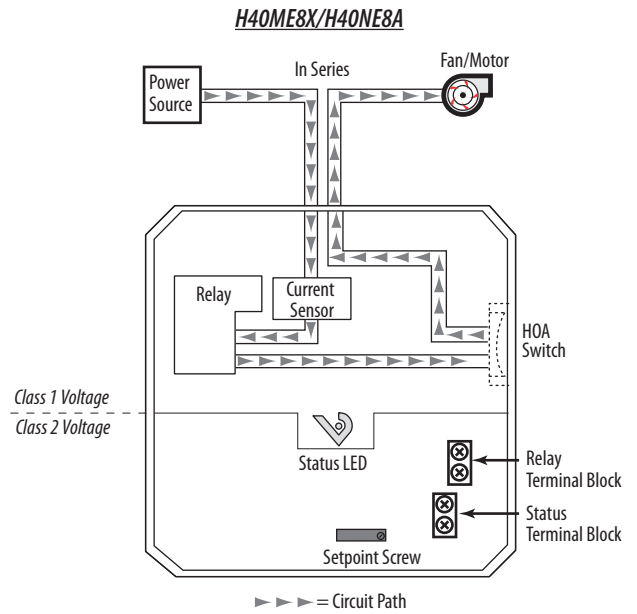
<b>Operating Temperature Range</b>	-15°C to 50°C (5° to 122°F)
<b>Operating Humidity Range</b>	0-95% RH non-condensing
<b>Frequency Range</b>	50-60 Hz
<b>Wire to Relay Contacts</b>	H40 NE8A, H40NEXA, H40ME8X, H40MEXX: use 12 AWG (3.3 mm <sup>2</sup> ) or larger wire H40BAXA, H40AAXX: use 16 AWG (1.3 mm <sup>2</sup> ) or larger wire
<b>Low Voltage Terminal Block Tightening Torque</b>	3.5 lb-in
<b>Sensor Supply Voltage (H40NE8A and H40ME8X only)</b>	Induced
<i>Relay:</i>	
<b>Relay Contact Ratings</b>	H40NE8A, H40NEXA: 16A@120/250VAC, 12A@277VAC, 1HP@120VAC, 8A@28VDC H40ME8X, H40MEXX: SPDT 16A@120/277VAC, 1HP@120VAC, 2HP@277VAC, 16A@28VDC H40BAXA: 10A@120/240/277VAC, 1/3HP@120VAC, 8A@28VDC H40AAXX: SPDT 10A@120/240/277VAC, 1/3HP@120VAC, 10A@28VDC
<b>Relay Coil Ratings</b>	H40NE8A, H40ME8X, H40MEXX, H40NEXA: 24VDC 45mA nom.; 24VAC 78mA nom.; Class 2* H40AAXX, H40BAXA: 10-30VAC@24-38mA; 10-30VDC@10-16mA; Class 2*

\* In addition, coil input from other sources may be used as detailed in NEC 2008, Article 725.121.

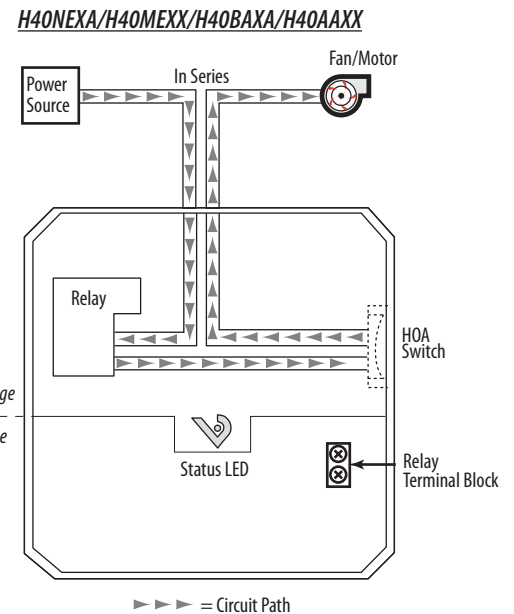
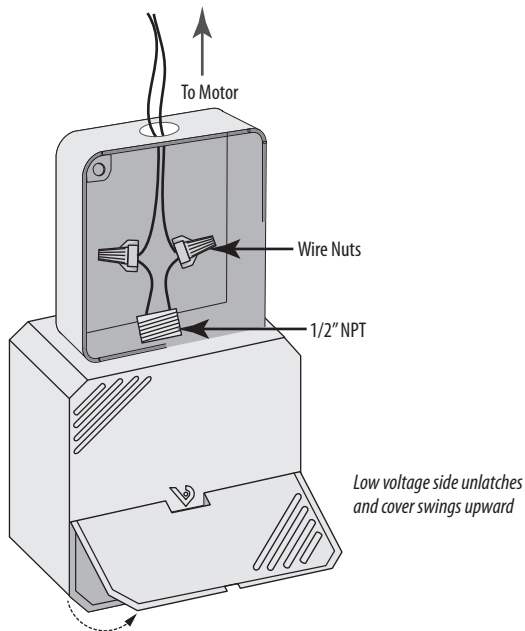
### DIMENSIONAL DRAWING



### APPLICATION/WIRING DIAGRAM



### MOUNTING OPTIONS



CURRENT MONITORING

### ORDERING INFORMATION



MODEL	AMPERAGE RANGE	STATUS OUTPUT	TRIP POINT	RELAY	RELAY COIL	HOA SWITCH	UL	RoHS
H40NE8A	0.25 - 16A	N.O. 1.0A@30VAC/DC	Adjustable	SPST, N.O	24VDC 45mA nom. 24VAC 78mA nom.	●	●	●
H40ME8X	0.25 - 16A	N.O. 1.0A@30VAC/DC	Adjustable	SPST, FS N.O. or N.C.	24VDC 45mA nom. 24VAC 78mA nom.		●	●
H40NEXA	0.25 - 16A	Relay only		SPST, N.O	24VDC 45mA nom. 24VAC 78mA nom.	●	●	●
H40MEXX	0.25 - 16A	Relay only		SPST, FS N.O. or N.C.	24VDC 45mA nom. 24VAC 78mA nom.		●	●
H40BAXA	0.25 - 10A	Relay only		SPST, N.O	10-30VAC@24-38mA 10-30VDC@10-16mA	●	●	●
H40AAXX	0.25 - 10A	Relay only		SPST, FS N.O. or N.C.	10-30VAC@24-38mA 10-30VDC@10-16mA		●	●