

GWN

Modular Gas Sensor Platform Accepts AG Series Gas Sensors



GWN



AGAE Enclosure
(sold separately)

GWN Series platform offers a convenient means for sensing gases in the environment. The GWN is mounted to any single-gang electrical box and wired to the building controller. Then, a single AGxx gas sensor (sold separately) is installed in the GWN. With this design, there is no need for a costly new installation when a sensor reaches the end of its life. The GWN platform remains installed, and the installer simply opens the GWN housing to replace the modular sensor inside, reducing labor costs and downtime.

AG Series sensors can be swapped in the GWN platform at any time with minimal effort. The GWN platform converts the signal from the AG sensor into an analog or relay signal compatible with building control systems.

The available AGAE metal enclosure (sold separately) provides a modular solution for applications that require a rugged enclosure along with an integral audible horn and 10 A relay for direct fan control.

SPECIFICATIONS

| | |
|-----------------------------------|--|
| Input Power | 15 to 30 Vdc/24 Vac ±20%, Class 2, 50/60Hz, max. 60 mA |
| Relay Ratings | 1A/30 Vac/dc, normally open |
| Operating Temperature Range | -20 to 50 °C (-4 to 122 °F) |
| Operating Humidity Range | 0 to 90% RH non-condensing |
| Terminal Block Wire Size | 30 to 12 AWG |
| Terminal Block Torque | 0.5 to 0.6 N-m (0.37 to 0.44 in-lbf) |
| Protection Class (self-evaluated) | IP20 |

WARRANTY

| | |
|------------------|----------|
| Limited Warranty | 5 years* |
|------------------|----------|

COMPLIANCE INFORMATION

| | |
|------------------|-----------------------------------|
| Agency Approvals | Intertek ETL Listed to UL 61010-1 |
|------------------|-----------------------------------|



Modular design

Modular platform accepts Veris AG Series sensors (sold separately)...no need to install a new GWN when the sensor life wears out

LEDs

Three colored LEDs - red, yellow and green - for easy status viewing

Microprocessor based

Microprocessor controlled... excellent stability operation

APPLICATIONS

- Parking garage ventilation
- Air quality compliance
- Vehicle bays (ambulance/fire/taxi)
- Mechanical rooms
- Sally ports

Wide options

Interface to control system via 4 to 20 mA with relay, 0 to 5 / 0 to 10 Vdc with relay, or relay only options...application flexibility

No calibration

No calibration required...easy maintenance and worry-free

Versatile interface

Interface to DDC systems or direct fan control

The GWN operates only when an AG Series gas sensor is installed (sold separately). Accuracy, sensitivity, setpoints, and measurement range are dependant on the AG Series sensor connected to the GWN platform. See the AG Series sensor installation guide for details.

* The AG Series gas sensors are warranted for two years from the date of manufacture. The AG Series sensors are not included in the five-year GWN warranty.

**The CE mark indicates RoHS2 compliance. Please refer to the CE Declaration of Conformity for additional details.





AG01 CO Sensor



AG01E CO Sensor



AG02 NO₂ Sensor

| SENSOR TYPE | Electrochemical | Electrochemical | Electrochemical |
|-----------------------------|----------------------------------|----------------------------------|-------------------------------|
| MEASUREMENT RANGE | 0 to 300 ppm | 0 to 500 ppm | 0 to 15 ppm |
| ACCURACY | ±3% of range | ±5% of range | ±5% of range at 25 °C |
| ANALOG OUTPUT SCALING | 0 to 200 ppm | 0 to 200 ppm | 0 to 15 ppm |
| RESOLUTION | 1 ppm | 1 ppm | 0.1 ppm |
| SENSOR WARRANTY | 2 years from manufacture date | 1 year from manufacture date | 2 years from manufacture date |
| LOW SETPOINT VALUE | 25 or 35 ppm (switch selectable) | 25 or 35 ppm (switch selectable) | 1 ppm (fixed) |
| HIGH SETPOINT VALUE | 180 ppm (fixed) | 180 ppm (fixed) | 3 ppm (fixed) |
| OPERATING TEMPERATURE RANGE | -20 to 50 °C (-4 to 122 °F) | -20 to 50 °C (-4 to 122 °F) | -20 to 50 °C (-4 to 122 °F) |
| OPERATING HUMIDITY RANGE | 0 to 90% RH non-condensing | 0 to 90% RH non-condensing | 0 to 90% RH non-condensing |

ORDERING INFORMATION - PLATFORM

Output: GWN* □ X X

Housing Color: □

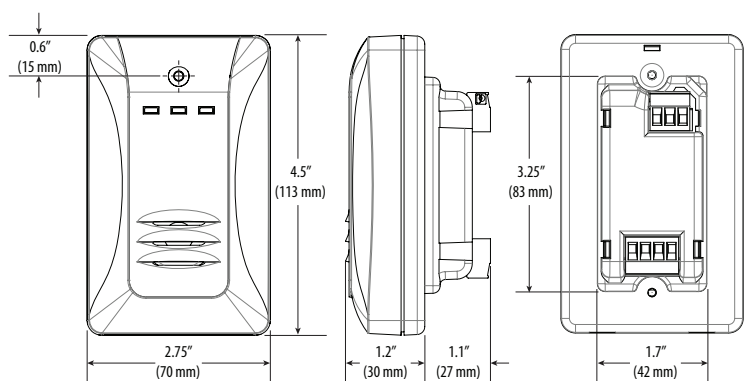
V = Field-selectable, 0-5/0-10 Vdc with relay
 M = 4 to 20 mA with relay
 1 = Relay only

Blank = Black
 W = White

Example: GWN M X X W

*The GWN will not operate without an AG Series sensor installed. Sensors are sold separately.

DIMENSIONAL DRAWING



ORDERING INFORMATION – REQUIRED SENSORS

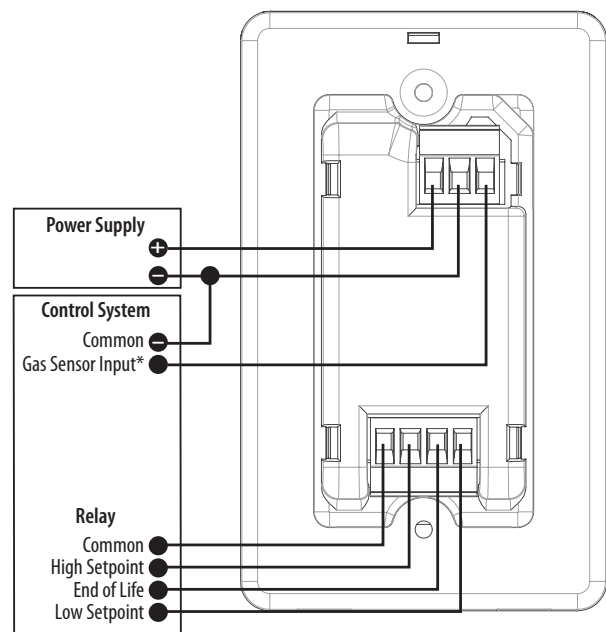
| MODEL | DESCRIPTION |
|-------|---|
| AG01 | CO sensor, 3% accuracy. CO sources include exhaust from gasoline engines, gasoline powered furnaces, gasoline powered water heaters, gasoline generators. |
| AG01E | CO sensor, 5% accuracy. CO sources include exhaust from gasoline engines, furnaces, water heaters, generators |
| AG02 | NO ₂ sensor. NO ₂ sources include exhaust from diesel engines and diesel powered generators |

Note: See Specifications section for AG sensor warranty details.

ORDERING INFORMATION – ACCESSORY ENCLOSURE

| MODEL | DESCRIPTION |
|-------|--|
| AGAE | Metal wall mount enclosure for the GWN gas platform with audible horn and 10 A relay |

WIRING DIAGRAM



* Not available on relay only models.

